

**HEADQUARTERS
DEPARTMENT OF THE ARMY**

FM 3-23.35 (FM 23-35)

COMBAT TRAINING WITH PISTOLS, M9 AND M11

JUNE 2003

DISTRIBUTION RESTRICTION: Approved for public release; distribution is unlimited.

**This publication is available at Army
Knowledge Online (www.us.army.mil)
and the General Dennis J. Reimer
Training and Doctrine Digital Library at
(www.adtdl.army.mil)**

COMBAT TRAINING WITH PISTOLS, M9 AND M11

CONTENTS

	Page
Preface.....	iii
 CHAPTER 1. COMPONENTS AND FUNCTIONING	
Section I. Description and Components.....	1-1
1-1. Description.....	1-2
1-2. Components.....	1-3
1-3. Ammunition.....	1-4
Section II. Maintenance.....	1-5
1-4. Clearing Procedures.....	1-5
1-5. General Dissemble.....	1-5
1-6. Inspection.....	1-6
1-7. Clearing, Lubrication, and Preventive Maintenance.....	1-6
1-8. General Assembly.....	1-6
1-9. Function Check.....	1-7
Section III. Operation and Function.....	1-8
1-10. Operation.....	1-8
1-11. Loading.....	1-8
1-12. Unloading and Clearing.....	1-9
1-13. Cycle of Operation.....	1-9
Section IV. Performance Problems.....	1-10
1-14. Malfunctions.....	1-10
1-15. Immediate Action.....	1-10
1-16. Remedial Action.....	1-10
 CHAPTER 2. PISTOL MARKSMANSHIP TRAINING	
Section I. Basic Pistol Marksmanship.....	2-1
2-1. Grip.....	2-1
2-2. Aiming.....	2-5
2-3. Breath Control.....	2-6
2-4. Trigger Squeeze.....	2-6

DISTRIBUTION RESTRICTION: Approved for public release; distribution is unlimited.

*This publication supersedes FM 23-35, 10 October 1988, and rescinds DA Form 88-R, 1 September 1971, and DA Form 5704-R, September 1988.

		Page
	2-5.	Target Engagement 2-7
	2-6.	Positions 2-8
Section	II.	Combat Marksmanship 2-14
	2-7.	Techniques of Firing 2-14
	2-8.	Target Engagement 2-15
	2-9.	Traversing 2-15
	2-10.	Combat Reloading Techniques 2-21
	2-11.	Poor Visibility Firing 2-23
	2-12.	Nuclear, Biological, Chemical Firing 2-23
Section	III.	Coaching and Training Aids 2-23
	2-13.	Coaching 2-23
	2-14.	Ball-and-Dummy Method 2-24
	2-15.	Calling the Shot 2-24
	2-16.	Slow-Fire Exercise 2-24
	2-17.	Air-Operated Pistol, .177 mm 2-25
	2-18.	Quick-Fire Target Training Device 2-25
	2-19.	Range Firing Courses 2-30
Section	IV.	Safety 2-30
	2-20.	Requirements 2-30
	2-21.	Before Firing 2-31
	2-22.	During Firing 2-31
	2-23.	After Firing 2-31
	2-24.	Instructional Practice and Record Qualification Firing 2-31
APPENDIX A.		COMBAT PISTOL QUALIFICATION COURSE A-1
APPENDIX B.		ALTERNATE PISTOL QUALIFICATION COURSE B-1
APPENDIX C.		TRAINING SCHEDULES C-1
APPENDIX D.		REPRODUCIBLE FORMS D-1
GLOSSARY	 Glossary-1
REFERENCES	 References-1
INDEX	 Index-1

PREFACE

This manual provides guidance on the operation and marksmanship of the M9, 9-mm pistol, and the M11, 9-mm pistol. It reflects current army standards in weapons qualifications. It is a guide for the instructor to develop training programs, plans, and lessons that meet the objectives of the US Army marksmanship program for developing combat effective marksmen. The soldier develops confidence, knowledge, and skills by following the guidelines in this manual.

Unless this publication states otherwise, masculine nouns and pronouns used in this manual refer to both men and women.

The proponent of this publication is the United States Army Infantry School. Submit changes for improving this publication on DA Form 2028 (Recommended Changes to Publications and Blank Forms), and forward it to Commandant; United States Army Infantry School; ATTN: ATSH-ATD; Fort Benning, GA 31905-5593 or send email to doctrine@benning.army.mil.

CHAPTER 1
COMPONENTS AND FUNCTIONING

This chapter describes the M9 and M11 semiautomatic pistols, their maintenance requirements, and their operation and functioning.

Section I. DESCRIPTION AND COMPONENTS

The M9 (Figure 1-1) and M11 (Figure 1-2) pistols are 9-mm, semiautomatic, magazine-fed, recoil-operation, double-action weapons chambered for the 9-mm cartridge.



Figure 1-1. 9-mm pistol, M9.



Figure 1-2. 9-mm pistol, M11.

1-1. DESCRIPTION

Table 1-1 summarizes equipment data for both pistols.

	M9 PISTOL	M11 PISTOL
Caliber	9-mm NATO	9-mm NATO
System of Operation	Short recoil, semiautomatic	Short recoil, semiautomatic
Locking System	Oscillating block	Oscillating block
Length	217 mm (8.54 inches)	180 mm (7.08 inches)
Width	38 mm (1.5 inches)	37 mm (1.46 inches)
Height	140 mm (5.51 inches)	136 mm (5.35 inches)
Magazine Capacity	15 Rounds	13 Rounds
Weight with Empty Magazine	960 grams (2.1 pounds)	745 grams (26.1 oz.)
Weight with 15-Round Magazine	1,145 grams (2.6 pounds)	830 grams (29.1 oz.)
Barrel Length	125 mm (4.92 inches)	98 mm (3.86 inches)
Rifling	Right-hand, six-groove (pitch 250 mm [about 10 inches])	Right-hand, six-groove (pitch 250 mm [9.84 inches])
Muzzle Velocity	375 meters per second (1,230.3 feet per second)	375 meters per second (1,230.3 feet per second)
Muzzle Energy	569.5 Newton meters (430 foot pounds)	569.5 Newton meters (430 foot pounds)
Maximum Range	1,800 meters (1,962.2 yards)	1,800 meters (1,962.2 yards)
Maximum Effective Range	50 meters (54.7 yards)	50 meters (54.7 yards)
Front Sight	Blade, integral with slide	Blade, integral with slide
Rear Sight	Notched bar, dovetailed to slide	Notched bar, dovetailed to slide
Sighting Radius	158 mm (6.22 inches)	158 mm (6.22 inches)
Safety Features	Decocking/safety lever, firing pin block.	Decocking/safety lever, firing pin block.
Hammer (half-cocked notch)	Prevents accidental discharge.	Prevents accidental discharge.
Basic Load	45 rounds	45 rounds
Trigger Pull	Single-action: 5.50 pounds Double-action: 12.33 pounds	Single-Action: 4.40 pounds Double-Action: 12.12 pounds

Table 1-1. Equipment Data, M9 and M11 pistols.

NOTE: For additional information on technical aspects of the M9 pistol, see TM 9-1005-317-10. For additional information on technical aspects of the M11 pistol, see TM 9-1005-325-10.

WARNING

The half-cocked position catches the hammer and prevents it from firing if the hammer is released while manually cocking the weapon. It is not to be used as a safety position. The pistol will fire from the half-cocked position if the trigger is pulled.

1-2. COMPONENTS

The major components of the M9 (Figure 1-3) and M11 (Figure 1-4) pistols are:

- a. **Slide and Barrel Assembly:** Houses the firing pin, striker, and extractor. Cocks the hammer during recoil cycle.
- b. **Recoil Spring and Recoil Spring Guide:** Absorbs recoil and returns the slide assembly to its forward position.
- c. **Barrel and Locking Block Assembly:** Houses cartridge for firing, directs projectile, and locks barrel in position during firing.
- d. **Receiver:** Serves as a support for all the major components. Houses action of the pistol through four major components. Controls functioning of the pistol.
- e. **Magazine:** Holds cartridges in place for stripping and chambering.



Figure 1-3. Major components, M9.



Figure 1-4. Major components, M11.

1-3. AMMUNITION

M9 and M11 pistols use several different types of 9-mm ammunition. Soldiers should use only authorized ammunition that is manufactured to US and NATO specifications.

a. **Type and Characteristics.** The specific type ammunition (Figure 1-5) and its characteristics are as follows:

- (1) Cartridge, 9-mm ball, M882 with/without cannelure).
- (2) Cartridge, 9-mm dummy, M917.

WARNING

Do not fire heavily corroded or dented cartridges, cartridges with loose bullets, or any other rounds detected as defective through visual inspection.

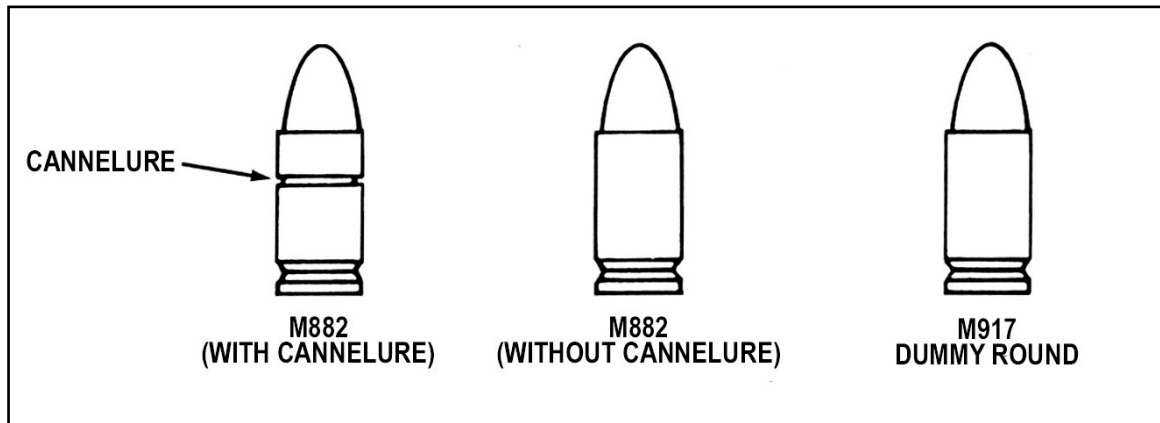


Figure 1-5. Ammunition.

b. Care, Handling, and Preservation.

(1) Protect ammunition from mud, sand, and water. If the ammunition gets wet or dirty, wipe it off at once with a clean dry cloth. Wipe off light corrosion as soon as it is discovered. Turn in heavily corroded cartridges.

(2) Do not expose ammunition to the direct rays of the sun. If the powder is hot, excessive pressure may develop when the pistol is fired.

(3) Do not oil or grease ammunition. Dust and other abrasives that collect on greasy ammunition may cause damage to the operating parts of the pistol. Oiled cartridges produce excessive chamber pressure.

Section II. MAINTENANCE

Maintenance procedures include clearing, disassembling, inspecting, cleaning, lubricating, assembling, and checking the functioning of the M9 or M11 pistol.

1-4. CLEARING PROCEDURES

The first step in maintenance is to clear the weapon. This applies in all situations, not just after firing. Soldiers must always assume the weapon is loaded. To clear the pistol, perform the following procedures.

- a. Place the decocking/safety lever in the SAFE down position.
- b. Hold the pistol in the raised pistol position.
- c. Depress the magazine release button and remove the magazine from the pistol.
- d. Pull the slide to the rear and remove any chambered round.
- e. Push the slide stop up, locking the slide to the rear.
- f. Look into the chamber to ensure that it is empty.

1-5. GENERAL DISASSEMBLE

To disassemble the pistol, perform the following procedures.

- a. Depress the slide stop and let the slide go forward.
- b. Hold the pistol in the right hand with the muzzle slightly raised.
- c. Press the disassembly lever button with the forefinger.
- d. Rotate the disassembly lever downward until it stops.
- e. Pull the slide and barrel assembly forward and remove it from the receiver.

- f. Carefully and lightly compress the recoil spring and spring guide. At the same time, lift up and remove them.
- g. Separate the recoil spring from the spring guide.
- h. Push in on the locking block plunger while pushing the barrel forward slightly.
- i. Lift and remove the locking block and barrel assembly from the slide.

1-6. INSPECTION

Inspection begins with the pistol disassembled in its major components. Shiny surfaces do not mean the parts are unserviceable. Inspect all surfaces for visible damage, cracks, burrs, and chips.

1-7. CLEANING, LUBRICATION, AND PREVENTIVE MAINTENANCE

The M9 or M11 pistol should be disassembled into its major components and cleaned immediately after firing. All metal components and surfaces that have been exposed to powder fouling should be cleaned using CLP on a bore-cleaning patch. The same procedure is used to clean the receiver. After it has been cleaned and wiped dry, a thin coat of CLP is applied by rubbing with a cloth. This lubricates and preserves the exposed metal parts during all normal temperature ranges. When not in use, the pistol should be inspected weekly and cleaned and lubricated when necessary.

<p style="text-align: center;">CAUTION</p>

<p>When using CLP, do not use any other type cleaner. Never mix CLP with RBC or LSA.</p>
--

- a. Clear and disassemble the weapon.
- b. Wipe or brush dirt, dust, and carbon buildup from the disassembled pistol.
- c. Use CLP to help remove carbon buildup and stubborn dirt and grime.
- d. Pay particular attention to the bolt face, guide rails on the receiver, grooves on the slide, and other hard-to-reach areas.

NOTE: Do not use mineral spirits, paint thinner, or dry cleaning solvent to clean the pistol. Use only issued lubricants and cleaners, such as CLP or LSA.

- e. Clean the bore and chamber using CLP and fresh swabs.
- f. Lubricate the pistol by covering all surfaces including the bore and chamber with a light coat of CLP. In extremely hot or cold weather, refer to the technical manual for lubricating procedures and materials.

1-8. GENERAL ASSEMBLY

To assemble the M9 or M11 pistol, simply reverse the procedures used to disassemble the pistol.

- a. Grasp the slide with the bottom facing up.
- b. With the other hand, grasp the barrel assembly with the locking block facing up.

c. Insert the muzzle into the forward end of the slide and, at the same time, lower the rear of the barrel assembly by aligning the extractor cutout with the extractor.

NOTE: The locking block will fall into the locked position in the slide.

d. Insert the recoil spring onto the recoil spring guide.

CAUTION

Maintain spring tension until the spring guide is fully seated in the cutaway on the locking block.

e. Insert the end of the recoil spring and the recoil spring guide into the recoil spring housing. At the same time, compress the recoil spring guide until it is fully seated on the locking block cutaway.

CAUTION

Do not pull the trigger while placing the slide on the receiver.

f. Ensure that the hammer is unlocked, the firing pin block is in the DOWN position, and the decocking/safety lever is in the SAFE position.

g. Grasp the slide and barrel assembly with the sights UP, and align the slide on the receiver assembly guide rails.

h. Push until the rear of the slide is a short distance beyond the rear of the receiver assembly and hold. At the same time, rotate the disassembly latch lever upward. A click indicates a positive lock.

1-9. FUNCTION CHECK

Always perform a function check after the pistol is reassembled to ensure it is working properly. To perform a function check:

- a. Clear the pistol in accordance with the unloading procedures.
- b. Depress the slide stop, letting the slide go forward.
- c. Insert an empty magazine into the pistol.
- d. Retract the slide fully and release it. The slide should lock to the rear.
- e. Depress the magazine release button and remove the magazine.
- f. Ensure the decocking/safety lever is in the SAFE position.
- g. Depress the slide stop. When the slide goes forward, the hammer should fall to the forward position.
- h. Squeeze and release the trigger. The firing pin block should move up and down and the hammer should not move.
- i. Place the decocking/safety lever in the fire POSITION.
- j. Squeeze the trigger to check double action. The hammer should cock and fall.
- k. Squeeze the trigger again. Hold it to the rear. Manually retract and release the slide. Release the trigger. A click should be heard and the hammer should not fall.
- l. Squeeze the trigger to check the single action. The hammer should fall.

Section III. OPERATION AND FUNCTION

This section provides detailed information on the functioning of M9 and M11 pistols.

1-10. OPERATION

With the weapon loaded and the hammer cocked, the shot is discharged by pulling the trigger.

a. Trigger movement is transmitted by the trigger bar, which draws the sear out of register with the full-cock hammer notch via the safety lever. With a slight timing lag, the safety lever also cams the safety lock upward to free the firing pin immediately before the hammer drops. The hammer forces the firing pin forward to strike and detonate the cartridge primer.

b. Blowback reaction generated by the exploding charge thrusts the locked barrel/slide system rearward against the recoil spring. After recoiling about 3 mm (1/8"), the barrel and slide unlock, allowing the barrel to tilt down into the locked position. The slide continues rearward until it abuts against the receiver stop.

c. During slide recoil, the hammer is cocked; the spent case is extracted and ejected as it strikes the ejector. In the initial recoil phase, the safety lever and safety lock separate, automatically rendering the firing pin safety lock effective again. As recoil continues, the slide depresses the trigger bar, disconnecting it from the safety lever. Sear spring pressure returns the sear and safety lever to their initial positions.

d. After contacting the receiver stop, the slide is thrust forward by the compressed recoil spring, stripping a round from the magazine and chambering it on the way. Just before reaching the forward end position, the slide again locks up with the barrel. The complete system is then thrust fully into the forward battery position by recoil spring pressure. Releasing the trigger allows the trigger bar and safety lever to re-engage.

e. The weapon is now cocked and ready to fire. After firing the last shot, the slide is locked in the rearmost position by the slide catch lever. This catch is actuated positively by the magazine follower, which is raised by magazine spring pressure.

1-11. LOADING

To load the pistol--

- Hold the pistol in the raised pistol position.
- Insert the magazine into the pistol.
- Pull the slide to the rear and release the slide to chamber a round.
- Push the decocking/safety lever to the SAFE position.

a. Always make sure the muzzle is pointing in a safe direction, with the finger off the trigger.

b. Never attempt to load or unload any firearm inside a vehicle, building, or other confined space (except a properly constructed shooting range or bullet trap). Enclosed areas frequently offer no completely safe direction in which to point the firearm; if an accidental discharge occurs, there is great risk of injury or property damage.

c. Before loading, always clean excess grease and oil from the bore and chamber, and ensure that no obstruction is in the barrel. Any foreign matter in the barrel could result in a bulged or burst barrel or other damage to the firearm and could cause serious injury to the shooter or to others.

1-12. UNLOADING AND CLEARING

To unload and clear the pistol--

- Hold the pistol in the raised pistol position.
- Depress the magazine release button and remove the magazine.
- Pull the slide to the rear and lock it in its rearward position by pushing up on the slide stop.
- Point the pistol skyward and look into the chamber to ensure it is clear.
- Let the slide go forward and pull the trigger to release the spring tension.
 - a. Perform this task in an area designated for this process.
 - b. Keep your finger off the trigger, and always make sure the muzzle is pointed in a safe direction.
 - c. Remember to clear the chamber after removing the magazine.
 - d. Never assume that a pistol is unloaded until you have personally checked it both visually and physically.
 - e. After every shooting practice, make a final check to be certain the firearm is unloaded before leaving the range.

1-13. CYCLE OF OPERATION

Each time a cartridge is fired, the parts inside the weapon function in a given order. This is known as the functioning cycle or cycle of operation. The cycle of operation of the weapon is divided into eight steps: feeding, chambering, locking, firing, unlocking, extracting, ejecting, and cocking. The steps are listed in the order in which functioning occurs; however, more than one step may occur at the same time.

a. A magazine containing ammunition is placed in the receiver. The slide is pulled fully to the rear and released. As the slide moves forward, it strips the top round from the magazine and pushes it into the chamber. The hammer remains in the cocked position, and the weapon is ready to fire.

b. The weapon fires one round each time the trigger is pulled. Each time a cartridge is fired, the slide and barrel recoil or move a short distance locked together. This permits the bullet and expanding powder gases to escape from the muzzle before the unlocking is completed.

c. The barrel then unlocks from the slide and continues to the rear, extracting the cartridge case from the chamber and ejecting it from the weapon. During this rearward movement, the magazine feeds another cartridge, the recoil spring is compressed, and the hammer is cocked.

d. At the end of the rearward movement, the recoil spring expands, forcing the slide forward, locking the barrel and slide together. The weapon is ready to fire again. The same cycle of operation continues until the ammunition is expended.

e. As the last round is fired, the magazine spring exerts upward pressure on the magazine follower. The stop on the follower strikes the slide stop, forcing it into the recess on the bottom of the slide and locking the slide to the rear. This action indicates that the magazine is empty and aids in faster reloading.

Section IV. PERFORMANCE PROBLEMS

Possible performance problems of M9 and M11 pistols are sluggish operation and stoppages. This section discusses immediate and remedial action to correct such problems.

1-14. MALFUNCTIONS

The following malfunctions may occur to the M9 and M11 pistols. Take these corrective actions to correct any problems that may occur.

a. **Sluggish Operation.** Sluggish operation is usually due to excessive friction caused by carbon build up, lack of lubrication, or burred parts. Corrective action includes cleaning, lubricating, inspecting, and replacing parts as necessary.

b. **Stoppages.** A stoppage is an interruption in the cycle of operation caused by faulty action of the pistol or faulty ammunition. Types of stoppages are:

- Failure to feed.
- Failure to chamber.
- Failure to lock.
- Failure to fire.
- Failure to unlock.
- Failure to extract.
- Failure to eject.
- Failure to cock.

1-15. IMMEDIATE ACTION

Immediate action is the action taken to reduce a stoppage without looking for the cause. Immediate action is taken within 15 seconds of a stoppage.

- a. Ensure the decocking/safety lever is in the FIRE position.
- b. Squeeze the trigger again.
- c. If the pistol does not fire, ensure that the magazine is fully seated, retract the slide to the rear, and release.
- d. Squeeze the trigger.
- e. If the pistol again does not fire, remove the magazine and retract the slide to eject the chambered cartridge. Insert a new magazine, retract the slide, and release to chamber another cartridge.
- f. Squeeze the trigger.
- g. If the pistol still does not fire, perform remedial action.

1-16. REMEDIAL ACTION

Remedial action is the action taken to reduce a stoppage by looking for the cause.

- a. Clear the pistol.
- b. Inspect the pistol for the cause of the stoppage.
- c. Correct the cause of the stoppage, load the pistol, and fire.
- d. If the pistol again fails to fire, disassemble it for closer inspection, cleaning, and lubrication.

CHAPTER 2

PISTOL MARKSMANSHIP TRAINING

Marksmanship training is divided into two phases: preparatory marksmanship training and range firing. Each phase may be divided into separate instructional steps. All marksmanship training must be progressive. Combat marksmanship techniques should be practiced after the basics have been mastered.

Section I. BASIC MARKSMANSHIP

The main use of the pistol is to engage an enemy at close range with quick, accurate fire. Accurate shooting results from knowing and correctly applying the elements of marksmanship. The elements of combat pistol marksmanship are:

- Grip.
- Aiming.
- Breath control.
- Trigger squeeze.
- Target engagement.
- Positions.

2-1. GRIP

A proper grip is one of the most important fundamentals of quick fire. The weapon must become an extension of the hand and arm; it should replace the finger in pointing at an object. The firer must apply a firm, uniform grip to the weapon.

a. **One-Hand Grip.** Hold the weapon in the nonfiring hand; form a V with the thumb and forefinger of the strong hand (firing hand). Place the weapon in the V with the front and rear sights in line with the firing arm. Wrap the lower three fingers around the pistol grip, putting equal pressure with all three fingers to the rear. Allow the thumb of the firing hand to rest alongside the weapon without pressure (Figure 2-1). Grip the weapon tightly until the hand begins to tremble; relax until the trembling stops. At this point, the necessary pressure for a proper grip has been applied. Place the trigger finger on the trigger between the tip and second joint so that it can be squeezed to the rear. The trigger finger must work independently of the remaining fingers.

NOTE: If any of the three fingers on the grip are relaxed, the grip must be reapplied.



Figure 2-1. One-hand grip.

b. **Two-Hand Grip.** The two-hand grip allows the firer to steady the firing hand and provide maximum support during firing. The nonfiring hand becomes a support mechanism for the firing hand by wrapping the fingers of the nonfiring hand around the firing hand. Two-hand grips are recommended for all pistol firing.

WARNING

Do not place the nonfiring thumb in the rear of the weapon. The recoil upon firing could result in personal injury.

(1) ***Fist Grip.*** Grip the weapon as with the one-hand grip. Firmly close the fingers of the nonfiring hand over the fingers of the firing hand, ensuring that the index finger from the nonfiring hand is between the middle finger of the firing hand and the trigger guard. Place the nonfiring thumb alongside the firing thumb (Figure 2-2).

NOTE: Depending upon the individual firer, he may chose to place the index finger of his nonfiring hand on the front of the trigger guard since M9 and M11 pistols have a recurved trigger guard designed for this purpose.



Figure 2-2. Fist grip.

(2) ***Palm-Supported Grip.*** This grip is commonly called the cup and saucer grip. Grip the firing hand as with the one-hand grip. Place the nonfiring hand under the firing hand, wrapping the nonfiring fingers around the back of the firing hand. Place the nonfiring thumb over the middle finger of the firing hand (Figure 2-3).



Figure 2-3. Palm-supported grip.

(3) **Weaver grip.** Apply this grip the same as the fist grip. The only exception is that the nonfiring thumb is wrapped over the firing thumb (Figure 2-4).



Figure 2-4. Weaver grip.

c. **Isometric Tension.** The firer raises his arms to a firing position and applies isometric tension. This is commonly known as the push-pull method for maintaining weapon stability. Isometric tension is when the firer applies forward pressure with the firing hand and pulls rearward with the nonfiring hand with equal pressure. This creates an isometric force but never so much to cause the firer to tremble. This steadies the weapon and reduces barrel rise from recoil. The supporting arm is bent with the elbow pulled downward. The firing arm is fully extended with the elbow and wrist locked. The firer must experiment to find the right amount of isometric tension to apply.

NOTE: The firing hand should exert the same pressure as the nonfiring hand. If it does not, a missed target could result.

d. **Natural Point of Aim.** The firer should check his grip for use of his natural point of aim. He grips the weapon and sights properly on a distant target. While maintaining his grip and stance, he closes his eyes for three to five seconds. He then opens his eyes and checks for proper sight picture. If the point of aim is disturbed, the firer adjusts his stance to compensate. If the sight alignment is disturbed, the firer adjusts his grip to compensate by removing the weapon from his hand and reapplying the grip. The firer repeats this process until the sight alignment and sight placement remain almost the same when he opens his eyes. With sufficient practice, this enables the firer to determine and use his natural point of aim, which is the most relaxed position for holding and firing the weapon.

2-2. AIMING

Aiming is sight alignment and sight placement (Figure 2-5).

a. Sight alignment is the centering of the front blade in the rear sight notch. The top of the front sight is level with the top of the rear sight and is in correct alignment with the eye. For correct sight alignment, the firer must center the front sight in the rear sight. He raises or lowers the top of the front sight so it is level with the top of the rear sight. Sight alignment is essential for accuracy because of the short sight radius of the pistol. For example, if a 1/10-inch error is made in aligning the front sight in the rear sight, the firer's bullet will miss the point of aim by about 15 inches at a range of 25 meters. The 1/10-inch error in sight alignment magnifies as the range increases--at 25 meters, it is magnified 150 times.

b. Sight placement is the positioning of the weapon's sights in relation to the target as seen by the firer when he aims the weapon (Figure 2-5). A correct sight picture consists of correct sight alignment with the front sight placed center mass of the target. The eye can focus on only one object at a time at different distances. Therefore, the last focus of the eye is always on the front sight. When the front sight is seen clearly, the rear sight and target will appear hazy. The firer can maintain correct sight alignment only through focusing on the front sight. His bullet will hit the target even if the sight picture is partly off center but still remains on the target. Therefore, sight alignment is more important than sight placement. Since it is impossible to hold the weapon completely still, the firer must apply trigger squeeze and maintain correct sight alignment while the weapon is moving in and around the center of the target. This natural movement of the weapon is referred to as wobble area. The firer must strive to control the limits of the wobble area through proper grip, breath control, trigger squeeze, and positioning.

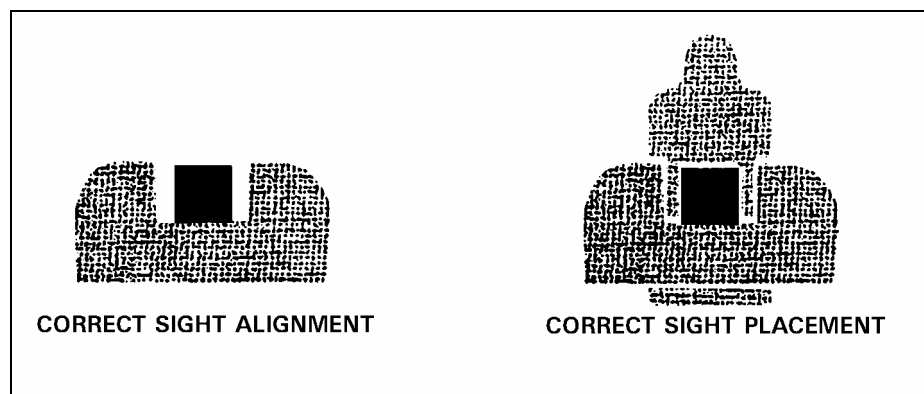


Figure 2-5. Correct sight alignment and sight picture.

c. Focusing on the front sight while applying proper trigger squeeze will help the firer resist the urge to jerk the trigger and anticipate the moment the weapon will fire. Mastery of trigger squeeze and sight alignment requires practice. Trainers should use concurrent training stations or have fire ranges to enhance proficiency of marksmanship skills.

2-3. BREATH CONTROL

To attain accuracy, the firer must learn to hold his breath properly at any time during the breathing cycle. This must be done while aiming and squeezing the trigger. While the procedure is simple, it requires explanation, demonstration, and supervised practice. To hold his breath properly, the firer takes a breath, lets it out, then inhales normally, lets a little out until comfortable, holds, and then fires. It is difficult to maintain a steady position keeping the front sight at a precise aiming point while breathing. Therefore, the firer should be taught to inhale, then exhale normally, and hold his breath at the moment of the natural respiratory pause (Figure 2-6). Breath control, firing at a single target.) The shot must then be fired before he feels any discomfort from not breathing. When multiple targets are presented, the firer must learn to hold his breath at any part of the breathing cycle (Figure 2-7). Breath control must be practiced during dry-fire exercises until it becomes a natural part of the firing process.

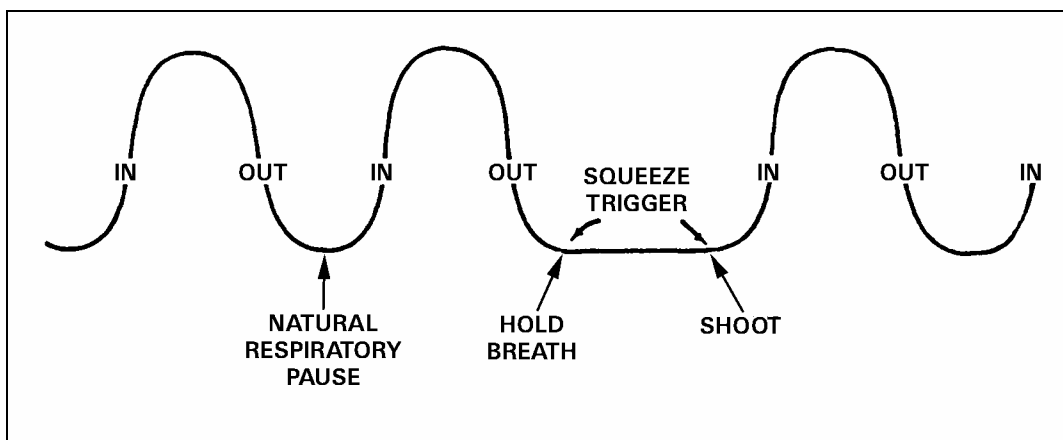


Figure 2-6. Breath control, firing at a single target.

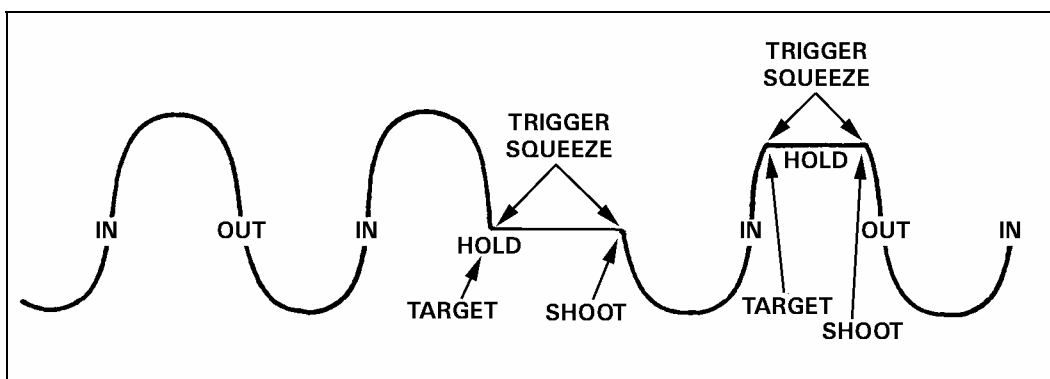


Figure 2-7. Breath control, firing at timed or multiple targets.

2-4. TRIGGER SQUEEZE

Improper trigger squeeze causes more misses than any other step of preparatory marksmanship. Poor shooting is caused by the aim being disturbed before the bullet leaves the barrel of the weapon. This is usually the result of the firer jerking the trigger or flinching. A slight off-center pressure of the trigger finger on the trigger can cause the weapon to move and disturb the firer's sight alignment. Flinching is an automatic human

reflex caused by anticipating the recoil of the weapon. Jerking is an effort to fire the weapon at the precise time the sights align with the target. For more on problems in target engagement, see paragraph 2-5.

a. Trigger squeeze is the independent movement of the trigger finger in applying increasing pressure on the trigger straight to the rear, without disturbing the sight alignment until the weapon fires. The trigger slack, or free play, is taken up first, and the squeeze is continued steadily until the hammer falls. If the trigger is squeezed properly, the firer will not know exactly when the hammer will fall; thus, he will not tend to flinch or heel, resulting in a bad shot. Novice firers must be trained to overcome the urge to anticipate recoil. Proper application of the fundamentals will lower this tendency.

b. To apply correct trigger squeeze, the trigger finger should contact the trigger between the tip of the finger and the second joint (without touching the weapon anywhere else). Where contact is made depends on the length of the firer's trigger finger. If pressure from the trigger finger is applied to the right side of the trigger or weapon, the strike of the bullet will be to the left. This is due to the normal hinge action of the fingers. When the fingers on the right hand are closed, as in gripping, they hinge or pivot to the left, thereby applying pressure to the left (with left-handed firers, this action is to the right). The firer must not apply pressure left or right but should increase finger pressure straight to the rear. Only the trigger finger should perform this action. Dry-fire training improves a firer's ability to move the trigger finger straight to the rear without cramping or increasing pressure on the hand grip.

c. Follow-through is the continued effort of the firer to maintain sight alignment before, during, and after the round has fired. The firer must continue the rearward movement of the finger even after the round has been fired. Releasing the trigger too soon after the round has been fired results in an uncontrolled shot, causing a missed target.

(1) The firer who is a good shot holds the sights of the weapon as nearly on the target center as possible and continues to squeeze the trigger with increasing pressure until the weapon fires.

(2) The soldier who is a bad shot tries to "catch his target" as his sight alignment moves past the target and fires the weapon at that instant. This is called ambushing, which causes trigger jerk.

NOTE: The trigger squeeze of the pistol, when fired in the single-action mode, is 5.50 pounds; when fired in double-action mode, it is 12.33 pounds. The firer must be aware of the mode in which he is firing. He must also practice squeezing the trigger in each mode to develop expertise in both single-action and double-action target engagements.

2-5. TARGET ENGAGEMENT

To engage a single target, the firer applies the method discussed in paragraph 2-4. When engaging multiple targets in combat, he engages the closest and most dangerous multiple target first and fires at it with two rounds. This is called controlled pairs. The firer then traverses and acquires the next target, aligns the sights in the center of mass, focuses on the front sight, applies trigger squeeze, and fires. He ensures his firing arm elbow and wrist are locked during all engagements. If he has missed the first target and has fired

upon the second target, he shifts back to the first and engages it. Some problems in target engagement are as follows:

a. **Recoil Anticipation.** When a soldier first learns to shoot, he may begin to anticipate recoil. This reaction may cause him to tighten his muscles during or just before the hammer falls. He may fight the recoil by pushing the weapon downward in anticipating or reacting to its firing. In either case, the rounds will not hit the point of aim. A good method to show the firer that he is anticipating the recoil is the ball-and-dummy method (see paragraph 2-14).

b. **Trigger Jerk.** Trigger jerk occurs when the soldier sees that he has acquired a good sight picture at center mass and "snaps" off a round before the good sight picture is lost. This may become a problem, especially when the soldier is learning to use a flash sight picture (see paragraph 2-7b).

c. **Heeling.** Heeling is caused by a firer tightening the large muscle in the heel of the hand to keep from jerking the trigger. A firer who has had problems with jerking the trigger tries to correct the fault by tightening the bottom of the hand, which results in a heeled shot. Heeling causes the strike of the bullet to hit high on the firing hand side of the target. The firer can correct shooting errors by knowing and applying correct trigger squeeze.

2-6. POSITIONS

The qualification course is fired from a standing, kneeling, or crouch position. During qualification and combat firing, soldiers must practice all of the firing positions described below so they become natural movements. Though these positions seem natural, practice sessions must be conducted to ensure the habitual attainment of correct firing positions. Practice in assuming correct firing positions ensures that soldiers can quickly assume these positions without a conscious effort. Pistol marksmanship requires a soldier to rapidly apply all the fundamentals at dangerously close targets while under stress. Assuming a proper position to allow for a steady aim is critical to survival.

NOTE: During combat, there may not be time for a soldier to assume a position that will allow him to establish his natural point of aim. Firing from a covered position may require the soldier to adapt his shooting stance to available cover.

a. **Pistol-Ready Position.** In the pistol-ready position, hold the weapon in the one-hand grip. Hold the upper arm close to the body and the forearm at about a 45-degree angle. Point the weapon toward target center as you move forward (Figure 2-8).

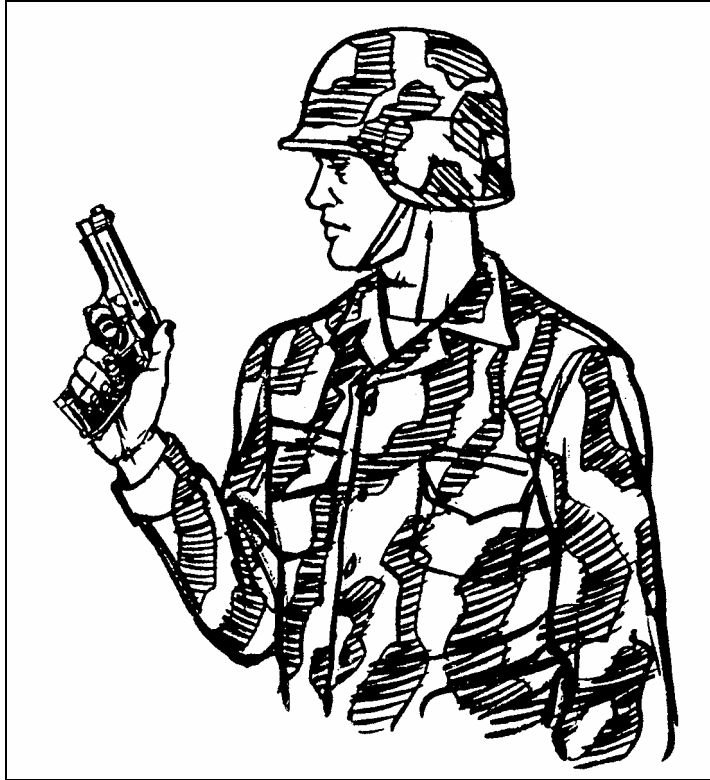


Figure 2-8. Pistol-ready position.

b. **Standing Position without Support.** Face the target (Figure 2-9). Place feet a comfortable distance apart, about shoulder width. Extend the firing arm and attain a two-hand grip. The wrist and elbow of the firing arm are locked and pointed toward target center. Keep the body straight with the shoulders slightly forward of the buttocks.

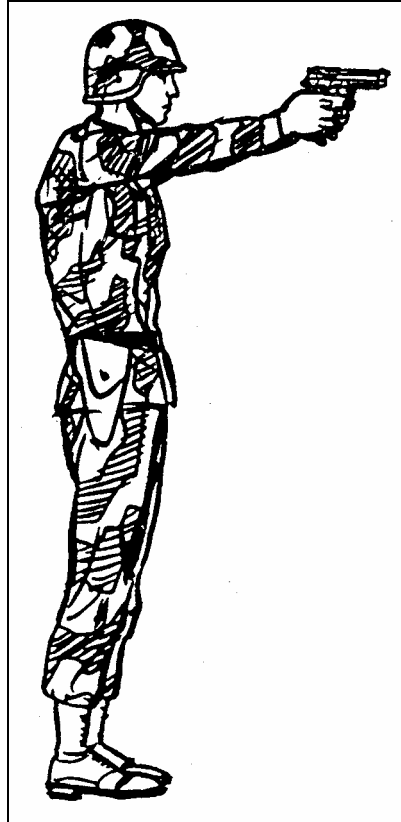


Figure 2-9. Standing position without support.

c. **Kneeling Position.** In the kneeling position, ground only your firing-side knee as the main support (Figure 2-10). Vertically place your firing-side foot, used as the main support, under your buttocks. Rest your body weight on the heel and toes. Rest your nonfiring arm just above the elbow on the knee not used as the main body support. Use the two-handed grip for firing. Extend the firing arm, and lock the firing-arm elbow and wrist to ensure solid arm control.



Figure 2-10. Kneeling position.

d. **Crouch Position.** Use the crouch position when surprise targets are engaged at close range (Figure 2-11). Place the body in a forward crouch (boxer's stance) with the knees bent slightly and trunk bent forward from the hips to give faster recovery from recoil. Place the feet naturally in a position that allows another step toward the target. Extend the weapon straight toward the target, and lock the wrist and elbow of the firing arm. It is important to consistently train with this position, since the body will automatically crouch under conditions of stress such as combat. It is also a faster position from which to change direction of fire.

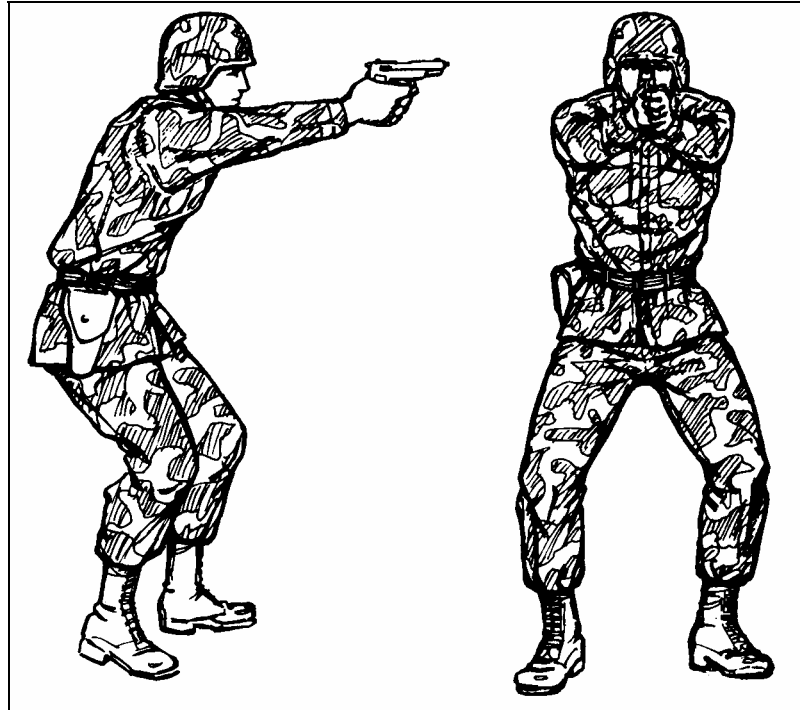


Figure 2-11. Crouch position.

e. **Prone Position.** Lie flat on the ground, facing the target (Figure 2-12). Extend your arms in front with the firing arm locked. (Your arms may have to be slightly unlocked for firing at high targets.) Rest the butt of the weapon on the ground for single, well-aimed shots. Wrap the fingers of the nonfiring hand around the fingers of the firing hand. Face forward. Keep your head down between your arms and behind the weapon as much as possible.

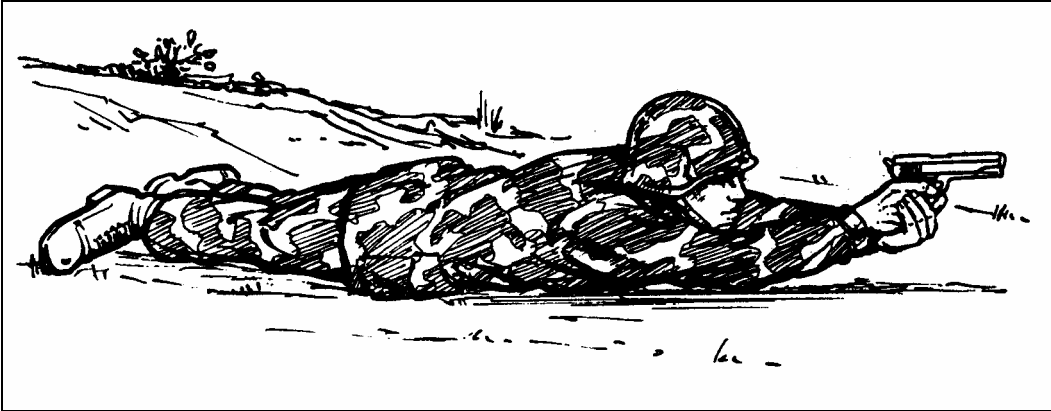


Figure 2-12. Prone position.

f. **Standing Position with Support.** Use available cover for support--for example, a tree or wall to stand behind (Figure 2-13). Stand behind a barricade with the firing side on line with the edge of the barricade. Place the knuckles of the nonfiring fist at eye level against the edge of the barricade. Lock the elbow and wrist of the firing arm. Move the foot on the nonfiring side forward until the toe of the boot touches the bottom of the barricade.

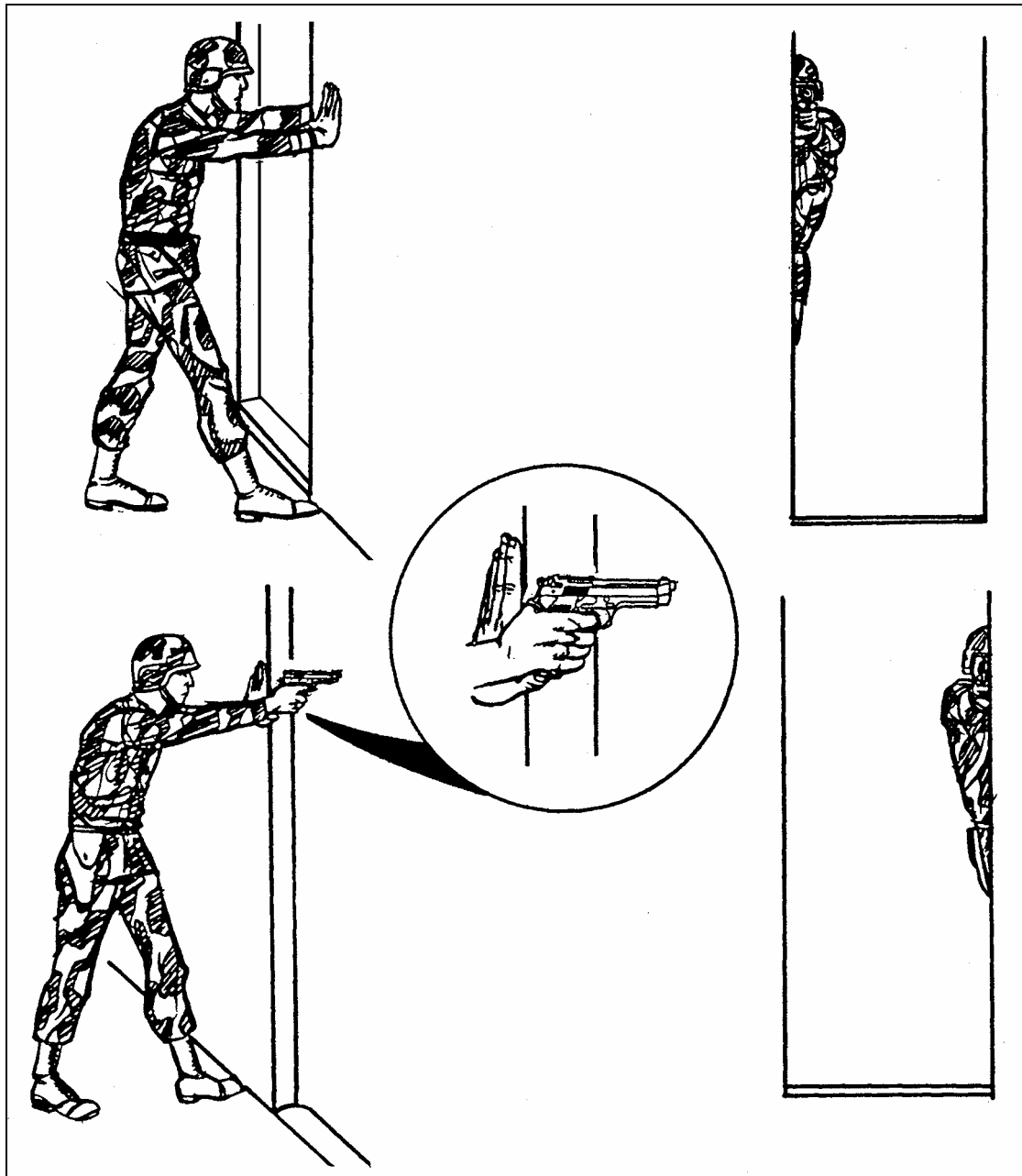


Figure 2-13. Standing position with support.

g. **Kneeling Supported Position.** Use available cover for support--for example, use a low wall, rocks, or vehicle (Figure 2-14). Place your firing-side knee on the ground. Bend the other knee and place the foot (nonfiring side) flat on the ground, pointing toward the target. Extend arms alongside and brace them against available cover. Lock the wrist and elbow of your firing arm. Place the nonfiring hand around the fist to support the firing arm. Rest the nonfiring arm just above the elbow on the nonfiring-side knee.

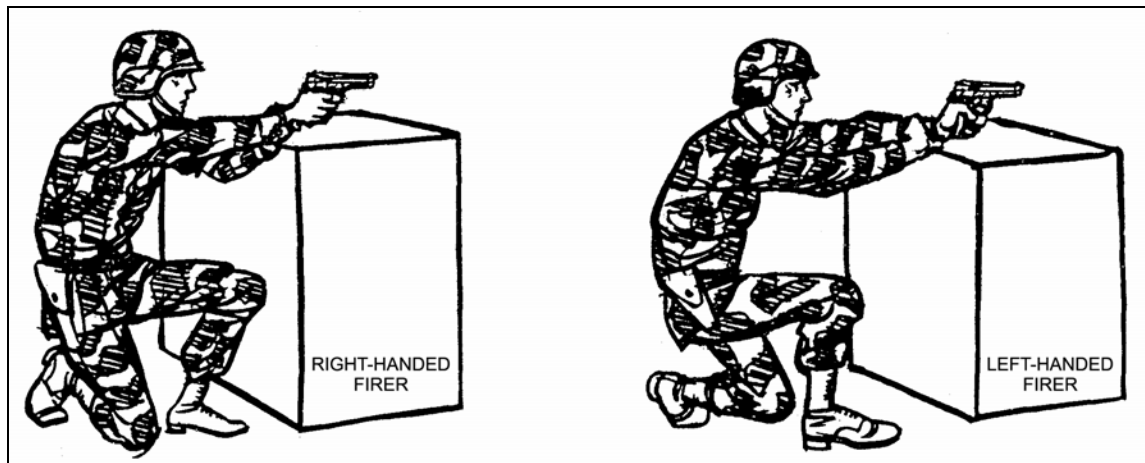


Figure 2-14. Kneeling supported.

Section II. COMBAT MARKSMANSHIP

After a soldier becomes proficient in the fundamentals of marksmanship, he progresses to advanced techniques of combat marksmanship. The main use of the pistol is to engage the enemy at close range with quick, accurate fire. In shooting encounters, it is not the first round fired that wins the engagement, but the first accurately fired round. The soldier should use his sights when engaging the enemy unless this would place the weapon within arm's reach of the enemy.

2-7. TECHNIQUES OF FIRING

Firing techniques include the use of hand-and-eye coordination, flash sight picture, quick-fire point shooting, and quick-fire sighting.

a. **Hand-and-Eye Coordination.** Hand-and-eye coordination is not a natural, instinctive ability for all soldiers. It is usually a learned skill obtained by practicing the use of a flash sight picture (see paragraph b below). The more a soldier practices raising the weapon to eye level and obtaining a flash sight picture, the more natural the relationship between soldier, sights, and target becomes. Eventually, proficiency elevates to a point so that the soldier can accurately engage targets in the dark. Each soldier must be aware of this trait and learn how to use it best. Poorly coordinated soldiers can achieve proficiency through close supervision from their trainers. Everyone has the ability to point at an object. Since pointing the forefinger at an object and extending the weapon toward a target are much the same, the combination of the two are natural. Making the soldier aware of this ability and teaching him how to apply it results in success when engaging enemy targets in combat.

(1) The eyes focus instinctively on the center of any object observed. After the object is sighted, the firer aligns his sights on the center of mass, focuses on the front sight, and applies proper trigger squeeze. Most crippling or killing hits result from maintaining the focus on the center of mass. The eyes must remain fixed on some part of the target throughout firing.

(2) When a soldier points, he instinctively points at the feature on the object on which his eyes are focused. An impulse from the brain causes the arm and hand to stop when the finger reaches the proper position. When the eyes are shifted to a new object or feature,

the finger, hand, and arm also shift to this point. It is this inherent trait that can be used by the soldier to engage targets rapidly and accurately. This instinct is called hand-and-eye coordination.

b. **Flash Sight Picture.** Usually, when engaging an enemy at pistol range, the firer has little time to ensure a correct sight picture. The quick-kill (or natural point of aim) method does not always ensure a first-round hit. A compromise between a correct sight picture and the quick-kill method is known as a flash sight picture. As the soldier raises the weapon to eye level, his point of focus switches from the enemy to the front sight, ensuring that the front and rear sights are in proper alignment left and right, but not necessarily up and down. Pressure is applied to the trigger as the front sight is being acquired, and the hammer falls as the flash sight picture is confirmed. Initially, this method should be practiced slowly, with speed gained as proficiency increases.

c. **Quick-Fire Point Shooting.** This is for engaging an enemy at less than 5 yards and is also useful for night firing. Using a two-hand grip, the firer brings the weapon up close to the body until it reaches chin level. He then thrusts it forward until both arms are straight. The arms and body form a triangle, which can be aimed as a unit. In thrusting the weapon forward, the firer can imagine that there is a box between him and the enemy, and he is thrusting the weapon into the box. The trigger is smoothly squeezed to the rear as the elbows straighten.

d. **Quick-Fire Sighting.** This technique is for engaging an enemy at 5 to 10 yards away and only when there is no time available to get a full picture. The firing position is the same as for quick-fire point shooting. The sights are aligned left and right to save time, but not up and down. The firer must determine in practice what the sight picture will look like and where the front sight must be aimed to hit the enemy in the chest.

2-8. TARGET ENGAGEMENT

In close combat, there is seldom time to precisely apply all of the fundamentals of marksmanship. When a soldier fires a round at the enemy, he often does not know if he hits his target. Therefore, two rounds should be fired at the target. This is called controlled pairs. If the enemy continues to attack, two more shots should be placed in the pelvic area to break the body's support structure, causing the enemy to fall.

2-9. TRAVERSING

In close combat, the enemy may be attacking from all sides. The soldier may not have time to constantly change his position to adapt to new situations. The purpose of the crouching or kneeling 360-degree traverse is to fire in any direction without moving the feet.

a. **Crouching 360-Degree Traverse.** The following instructions are for a right-handed firer. The two-hand grip is used at all times except for over the right shoulder. The firer remains in the crouch position with feet almost parallel to each other. Turning will be natural on the balls of the feet.

(1) **Over the Left Shoulder** (Figure 2-15): The upper body is turned to the left, the weapon points to the left rear with the elbows of both arms bent. The left elbow is naturally bent more than the right elbow.

(2) **Traversing to the Left** (Figure 2-16): The upper body turns to the right, and the right firing arm straightens out. The left arm is slightly bent.

(3) *Traversing to the Front* (Figure 2-17): The upper body turns to the front as the left arm straightens out. Both arms are straight forward.

(4) *Traversing to the Right* (Figure 2-18): The upper body turns to the right as both elbows bend. The right elbow is naturally bent more than the left.

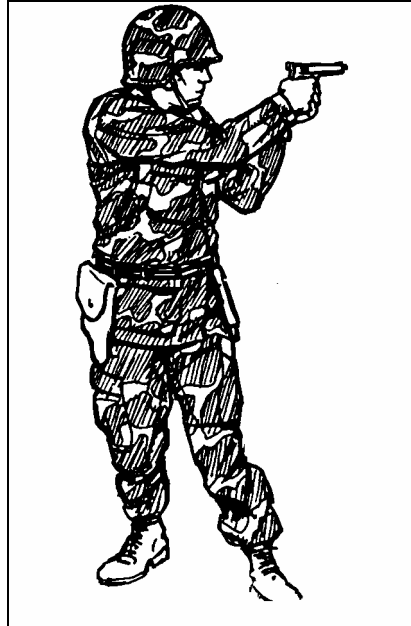


Figure 2-15. Traversing over the left shoulder.

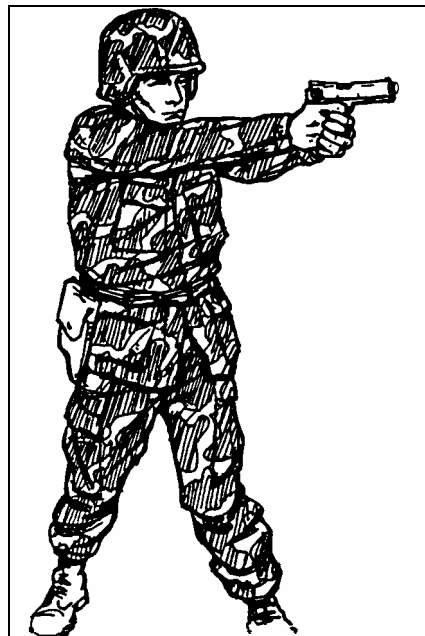


Figure 2-16. Traversing to the left.

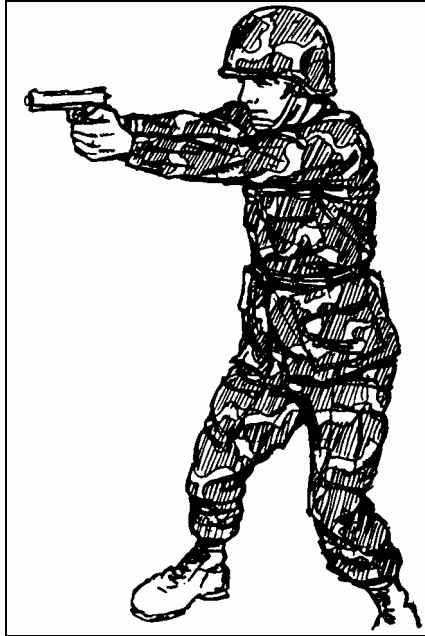


Figure 2-17. Traversing to the front.

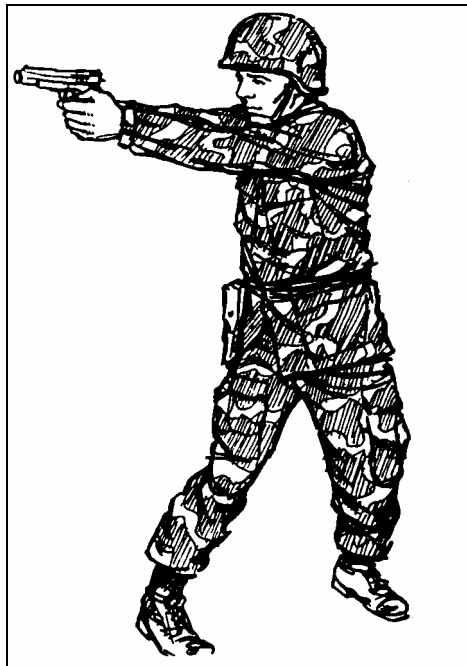


Figure 2-18. Traversing to the right.

(5) *Traversing to the Right Rear* (Figure 2-19): The upper body continues to turn to the right until it reaches a point where it cannot go further comfortably. Eventually the left hand must be released from the fist grip, and the firer will be shooting to the right rear with the right hand.



Figure 2-19. Traversing to the right rear.

b. **Kneeling 360-Degree Traverse.** The following instructions are for right-handed firers. The hands are in a two-hand grip at all times. The unsupported kneeling position is used. The rear foot must be positioned to the left of the front foot.

(1) **Traversing to the Left Side** (Figure 2-20): The upper body turns to a comfortable position toward the left. The weapon is aimed to the left. Both elbows are bent with the left elbow naturally bent more than the right elbow.

(2) **Traversing to the Front** (Figure 2-21): The upper body turns to the front, and a standard unsupported kneeling position is assumed. The right firing arm is straight, and the left elbow is slightly bent.

(3) **Traversing to the Right Side** (Figure 2-22): The upper body turns to the right as both arms straighten out.

(4) **Traversing to the Rear** (Figure 2-23): The upper body continues to turn to the right as the left knee is turned to the right and placed on the ground. The right knee is lifted off the ground and becomes the forward knee. The right arm is straight, while the left arm is bent. The direction of the kneeling position has been reversed.

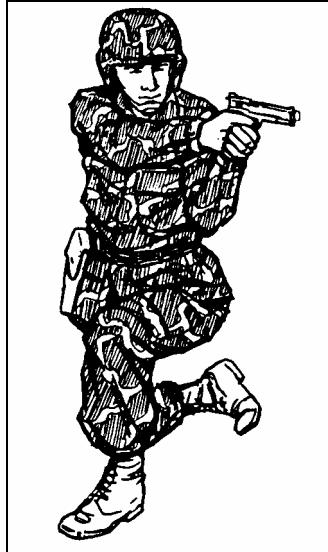


Figure 2-20. Traversing to the left, kneeling.



Figure 2-21. Traversing to the front, kneeling.



Figure 2-22. Traversing to the right, kneeling.



Figure 2-23. Traversing to the rear, kneeling.

(5) *Traversing to the New Right Side* (Figure 2-24): The upper body continues to the right. Both elbows are straight until the body reaches a point where it cannot go further comfortably. Eventually, the left hand must be released from the fist grip, and the firer is shooting to the right with the one-hand grip.

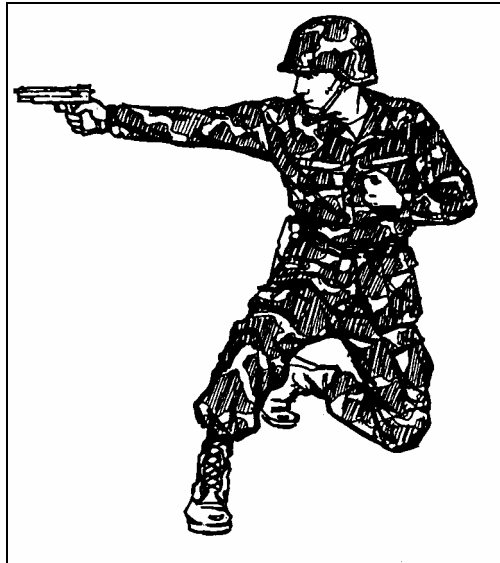


Figure 2-24. Traversing to the new right side, kneeling.

c. **Training Method.** This method can be trained and practiced anywhere and, with the firer simulating a two-hand grip, without a weapon. The firer should be familiar with firing in all five directions.

2-10. COMBAT RELOADING TECHNIQUES

Overlooked as a problem for many years, reloading has resulted in many casualties due to soldiers' hands shaking or errors such as dropped magazines, magazines placed in the pistol backwards, or empty magazines placed back into the weapon. The stress state induced by a life-threatening situation causes soldiers to do things they would not otherwise do. Consistent, repeated training is needed to avoid such mistakes.

NOTE: These procedures should be used only in combat, not on firing ranges.

a. Develop a consistent method for carrying magazines in the ammunition pouches. All magazines should face down with the bullets facing forward and to the center of the body.

b. Know when to reload. When possible, count the number of rounds fired. However, it is possible to lose count in close combat. If this happens, there is a distinct difference in recoil of the pistol when the last round has been fired. Change magazines when two rounds may be left--one in the magazine and one in the chamber. This prevents being caught with an empty weapon at a crucial time. Reloading is faster with a round in the chamber since time is not needed to release the slide.

c. Obtain a firm grip on the magazine. This precludes the magazine being dropped or difficulty in getting the magazine into the weapon. Ensure the knuckles of the hand are toward the body while gripping as much of the magazine as possible. Place the index finger high on the front of the magazine when withdrawing from the pouch. Use the index finger to guide the magazine into the magazine well.

d. Know which reloading procedure to use for the tactical situation. There are three systems of reloading: rapid, tactical, and one-handed. Rapid reloading is used when the

soldier's life is in immediate danger and the reload must be accomplished quickly. Tactical reloading is used when there is more time and it is desirable to keep the replaced magazine because there are rounds still in it or it will be needed again. One-handed reloading is used when there is an arm injury.

(1) ***Rapid Reloading.***

(a) Place your hand on the next magazine in the ammunition pouch to ensure there is another magazine.

(b) Withdraw the magazine from the pouch while releasing the other magazine from the weapon. Let the replaced magazine drop to the ground.

(c) Insert the replacement magazine, guiding it into the magazine well with the index finger.

(d) Release the slide, if necessary.

(e) Pick up the dropped magazine if time allows. Place it in your pocket, not back into the ammunition pouch where it may become mixed with full magazines.

(2) ***Tactical Reloading.***

(a) Place your hand on the next magazine in the ammunition pouch to ensure there is a remaining magazine.

(b) Withdraw the magazine from the pouch.

(c) Drop the used magazine into the palm of the nonfiring hand, which is the same hand holding the replacement magazine.

(d) Insert the replacement magazine, guiding it into the magazine well with the index finger.

(e) Release the slide, if necessary.

(f) Place the used magazine into a pocket. Do not mix it with full magazines.

(3) ***One-Hand Reloading, Right Hand.***

(a) Push the magazine release button with the thumb.

(b) Place the safety ON with the thumb if the slide is forward.

(c) Place the weapon backwards into the holster.

NOTE: If placing the weapon in the holster backwards is a problem, place the weapon between the calf and thigh to hold the weapon.

(d) Insert the replacement magazine.

(e) Withdraw the weapon from the holster.

(f) Remove the safety with the thumb if the slide is forward, or push the slide release if the slide is back.

(4) ***One-Hand Reloading, Left Hand.***

(a) Push the magazine release button with the middle finger.

(b) Place the weapon backwards into the holster.

NOTE: If placing the weapon in the holster backwards is a problem, place the weapon between the calf and thigh to hold the weapon.

(c) Insert the replacement magazine.

(d) Remove the weapon from the holster.

(e) Remove the safety with the thumb if the slide is forward, or push the slide release lever with the middle finger if the slide is back.

2-11. POOR VISIBILITY FIRING

Poor visibility firing with any weapon is difficult since shadows can be misleading to the soldier. This is mainly true during EENT and EMNT (a half hour before dark and a half hour before dawn). Even though the pistol is a short-range weapon, the hours of darkness and poor visibility further decrease its effect. To compensate, the soldier must use the three principles of night vision.

a. **Dark Adaptation.** This process conditions the eyes to see during poor visibility conditions. The eyes usually need about 30 minutes to become 98-percent adapted in a totally darkened area.

b. **Off-Center Vision.** When looking at an object in daylight, a person looks directly at it. However, at night he would see the object only for a few seconds. To see an object in darkness, he must concentrate on it while looking 6 to 10 degrees away from it.

c. **Scanning.** This is the short, abrupt, irregular movement of the firer's eyes around an object or area every 4 to 10 seconds. When artificial illumination is used, the firer uses night fire techniques to engage targets, since targets seem to shift without moving.

NOTE: For more detailed information on the three principles of night vision, see FM 21-75.

2-12. NUCLEAR, BIOLOGICAL, CHEMICAL FIRING

When firing a pistol under NBC conditions, the firer should use optical inserts, if applicable. Firing in MOPP levels 1 through 3 should not be a problem for the firer. Unlike wearing a protective mask while firing a rifle, the firer's sight picture will be acquired the same as without a protective mask. MOPP4 is the only level that may present a problem for a firer since gloves are worn. Gloves may require the firer to adjust his grip to attain a proper grip and proper trigger squeeze. Firers should practice firing in MOPP4 to become proficient in NBC firing.

Section III. COACHING AND TRAINING AIDS

Throughout preparatory marksmanship training, the coach-and-pupil method of training should be used. The proficiency of a pupil depends on how well his coach performs his duties. This section provides detailed information on coaching techniques and training aids for pistol marksmanship.

2-13. COACHING

The coach assists the firer by correcting errors, ensuring he takes proper firing positions, and ensuring he observes all safety precautions. The criteria for selecting coaches are a command responsibility; coaches must have experience in pistol marksmanship above that of the student firer. Duties of the coach during instruction practice and record firing include:

- a. Checking that the--
 - Weapon is cleared.
 - Ammunition is clean.

- Magazines are clean and operational.
- b. Observing the firer to see that he--
 - Takes the correct firing position.
 - Loads the weapon properly and only on command.
 - Takes up the trigger slack correctly.
 - Squeezes the trigger correctly (see paragraph 2-4).
 - Calls the shot each time he fires (except for quick fire and rapid fire).
 - Holds his breath correctly (see paragraph 2-3).
 - Lowers his weapon and rests his arm when he does not fire a round within 5 to 6 seconds.
- c. Having the firer breathe deeply several times to relax if he is tense.

2-14. BALL-AND-DUMMY METHOD

In this method, the coach loads the weapon for the firer. He may hand the firer a loaded weapon or an empty one. When firing the empty weapon, the firer observes that in anticipating recoil he is forcing the weapon downward as the hammer falls. Repetition of the ball-and-dummy method helps to alleviate recoil anticipation.

2-15. CALLING THE SHOT

To call the shot is to state where the bullet should strike the target according to the sight picture at the instant the weapon fires--for example: "high," "a little low," "to the left," "to the right," or "bull's-eye." Another method of calling the shot is the clock system--for example, a three-ring hit at 8 o'clock, a four-ring hit at 3 o'clock. Another method is to provide the firer with a target center (placed beside him on the firing line). As soon as the shot is fired, the firer must place a finger on the target face or center where he expects the round to hit on the target. This method avoids guessing and computing for the firer. The immediate placing of the finger on the target face gives an accurate call. If the firer does not call his shot correctly in range firing, he is not concentrating on sight alignment and trigger squeeze. Thus, he does not know that his sight picture is as the weapon fires.

2-16. SLOW-FIRE EXERCISE

The slow-fire exercise is one of the most important exercises for both amateur and competitive marksmen. Coaches should ensure soldiers practice this exercise as much as possible. This is a dry-fire exercise.

a. To perform the slow-fire exercise, the firer assumes the standing position with the weapon pointed at the target. The firer should begin by using a two-hand grip, progressing to the one-hand grip as his skill increases. He takes in a normal breath and lets part of it out, locking the remainder in his lungs by closing his throat. He then relaxes, aims at the target, takes the correct sight alignment and sight picture, takes up the trigger slack, and squeezes the trigger straight to the rear with steady, increasing pressure until the hammer falls, simulating firing.

b. If the firer does not cause the hammer to fall in 5 or 6 seconds, he should come to the pistol ready position, and rest his arm and hand. He then starts the procedure again. The action sequence that makes up this process can be summed up by the key word BRASS. It is a word the firer should think of each time he fires his weapon:

Breathe	Take a normal breath, let part of it out, and lock the remainder in the lungs by closing the throat.
Relax	Relax the body muscles.
Aim	Take correct sight alignment and sight picture, and focus the eye at the top of the front sight.
Slack	Take up the trigger slack.
Squeeze	Squeeze the trigger straight to the rear with steadily increasing pressure without disturbing sight alignment until the hammer falls.

c. Coaches should observe the front sight for erratic movements during the application of trigger squeeze. Proper application of trigger squeeze allows the hammer to fall without the front sight moving. A small bouncing movement of the front sight is acceptable. Firers should call the shot by the direction of movement of the front sight (high, low, left, or right).

2-17. AIR-OPERATED PISTOL, .177 MM

The air-operated pistol is used as a training device to teach the soldier the method of quick fire, to increase confidence in his ability, and to afford him more practice firing. A range can be set up almost anywhere with a minimum of effort and coordination, which is ideal for USAR and NG. If conducted on a standard range, live firing of pistols can be conducted along with the firing of the .177-mm air-operated pistol. Due to light recoil and little noise of the pistol, the soldier can concentrate on fundamentals. This helps build confidence because the soldier can hit a target faster and more accurately. The air-operated pistol should receive the same respect as any firearm. A thorough explanation of the weapon and a safety briefing are given to each soldier.

2-18. QUICK-FIRE TARGET TRAINING DEVICE

The QTTD (Figures 2-25 and 2-26) is used with the .177-mm air-operated pistol.

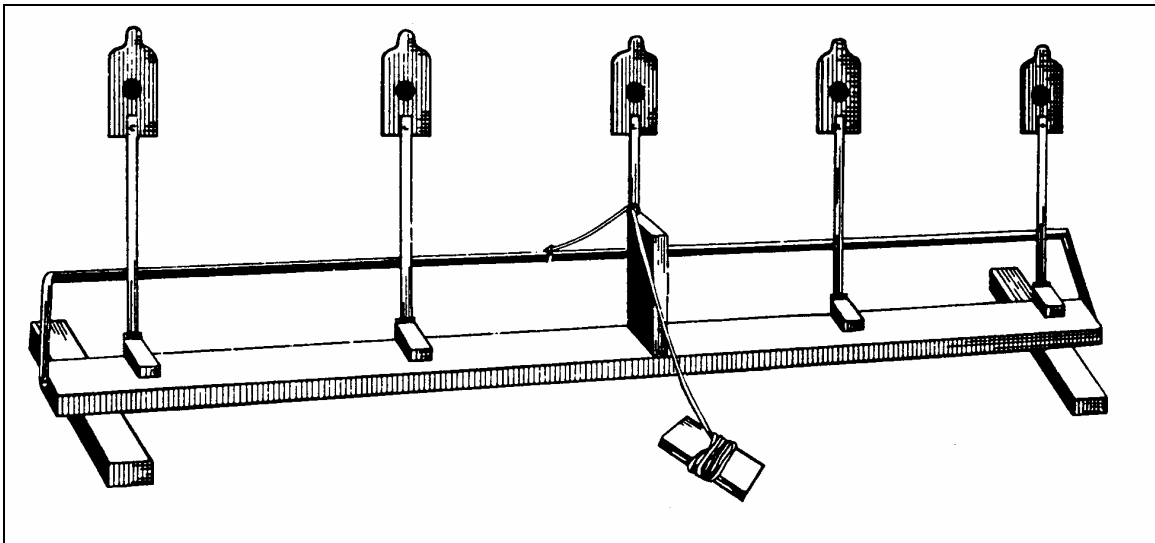


Figure 2-25. The quick-fire target training device.

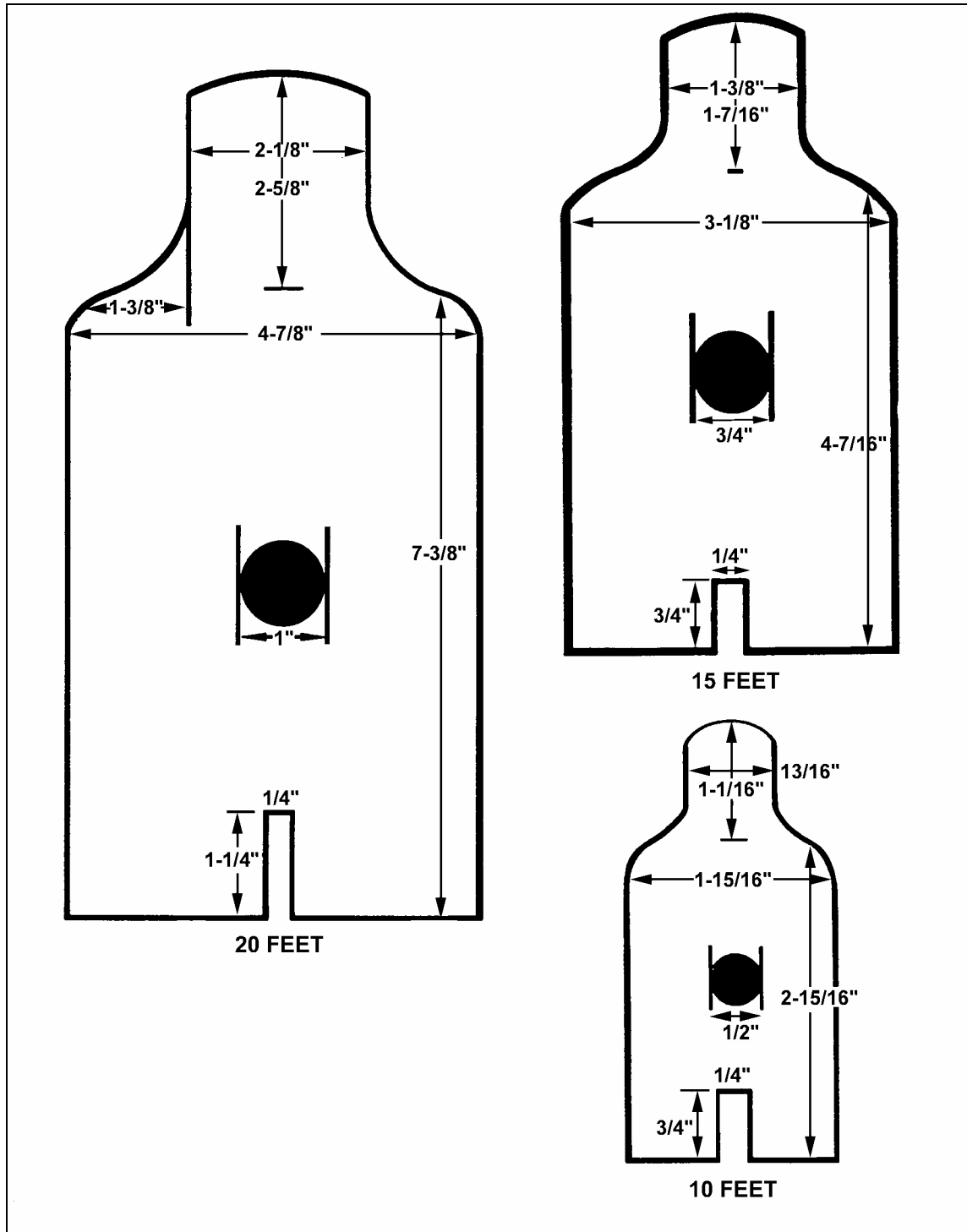


Figure 2-26. Dimensions for the QTTD.

- a. **Phase I.** From 10 feet, five shots at a 20-foot miniature E-type silhouette. After firing each shot, the firer and coach discuss the results and make corrections.
- b. **Phase II.** From 15 feet, five shots at a 20-foot miniature E-type silhouette. The same instructions apply to this exercise as for Phase I.

c. **Phase III.** From 20 feet, five shots at a 20-foot miniature E-type silhouette. The same instructions apply to this exercise as for Phases I and II.

d. **Phase IV.** From 15 feet, six shots at two 20-foot miniature E-type silhouettes. This exercise is conducted the same as the previous one, except that the firer is introduced to fire distribution. The targets on the QTTD are held in the up position so they cannot be knocked down when hit.

(1) The firer first engages the 20-foot miniature E-type silhouette on the extreme right of the QTTD (see Figure 2-27). He then traverses between targets and engages the same type target on the extreme left of the QTTD. The firer again shifts back to reengage the first target. The procedure is used to teach the firer to instinctively return to the first target if he misses it with his first shot.

(2) The firer performs this exercise twice, firing three shots each time. Before firing the second time, the coach and firer should discuss the errors made during the first exercise.

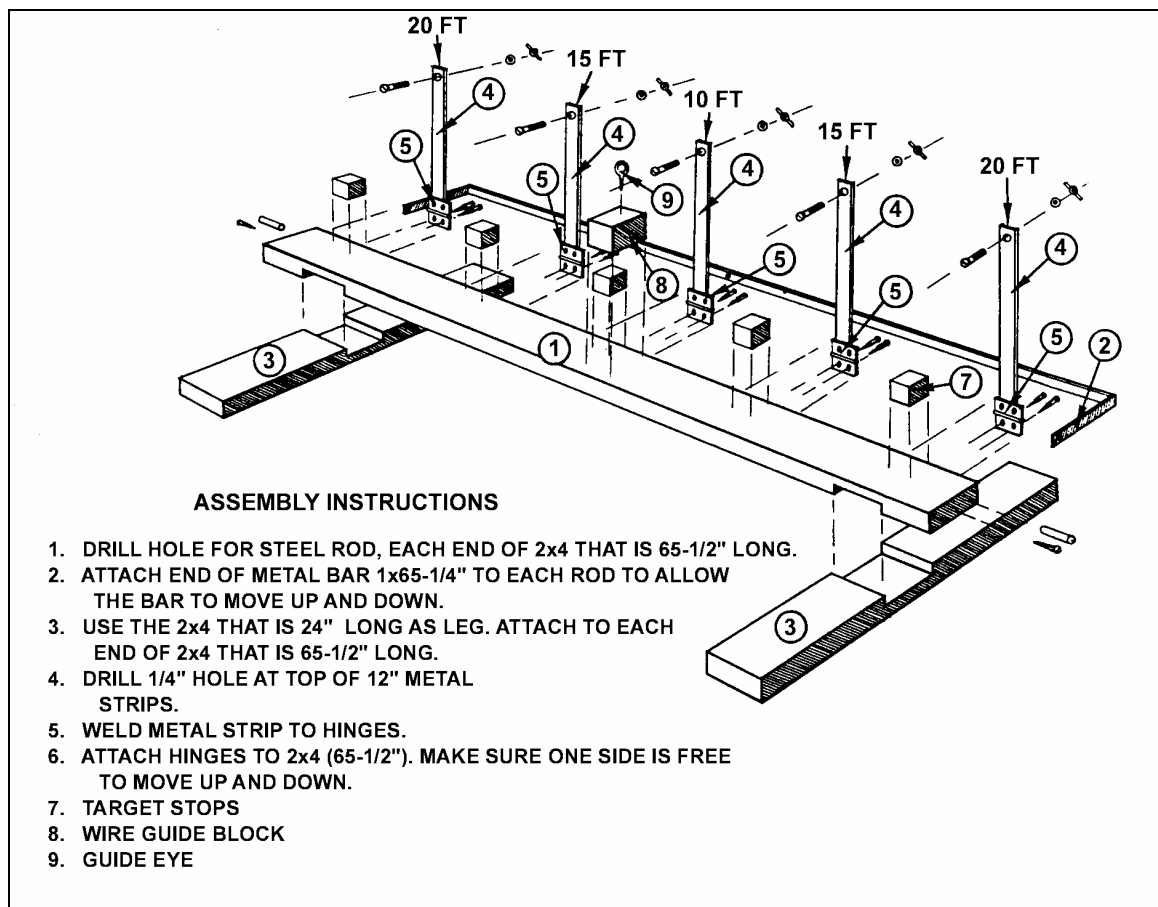


Figure 2-27. Miniature E-type silhouette for use with QTTD.

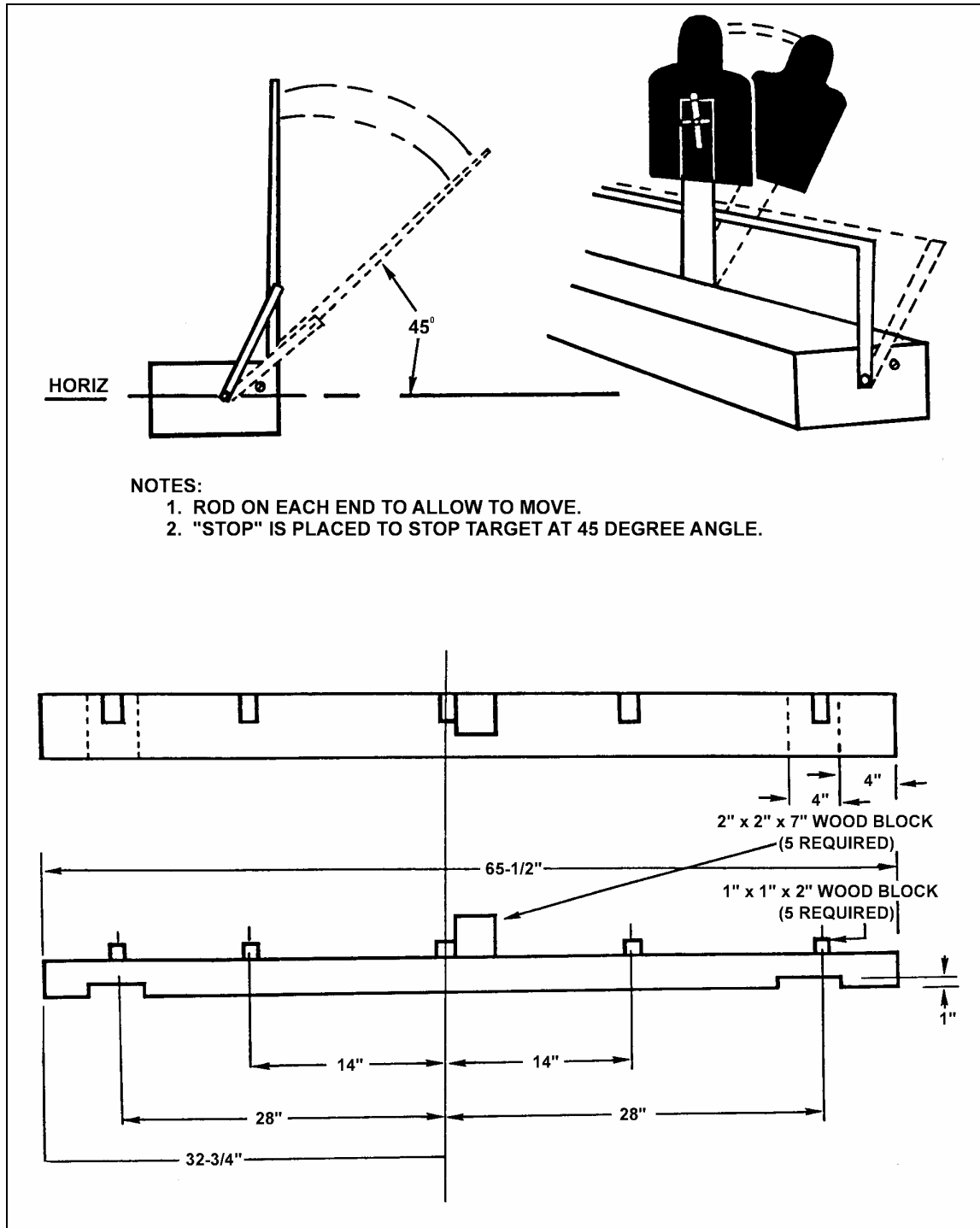


Figure 2-27. Miniature E-type silhouette for use with QTTD (continued).

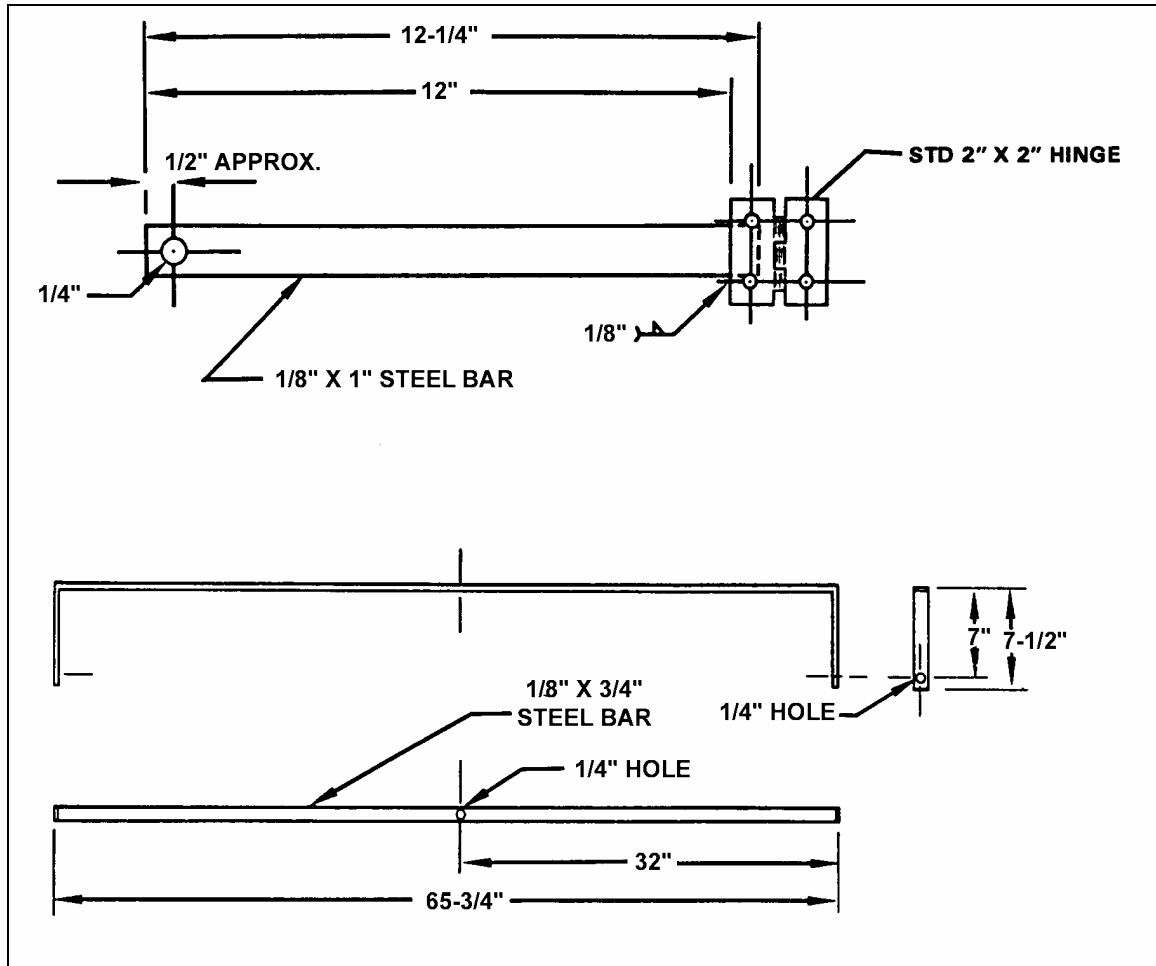


Figure 2-27. Miniature E-type silhouette for use with QTTD (continued).

e. **Phase V.** Seven shots fired from 20, 15, and 10 feet at miniature E-type silhouettes.

(1) The firer starts this exercise 30 feet from the QTTD. The command MOVE OUT is given, and the firer steps out at a normal pace with the weapon held in the ready position. Upon the command FIRE (given at the 20-foot line), the firer assumes the crouch position and engages the 20-foot miniature E-type silhouette on the extreme right of the QTTD. He then traverses between targets, engages the same type target on the extreme left of the QTTD, and shifts back to the first target. If the target is still up, he engages it. The firer then assumes the standing position and returns the weapon to the ready position. (Upon completion of each exercise, the coach makes corrections as the firer returns to the standing position.)

(2) On the command MOVE OUT, the firer again steps off at a normal pace. Upon the command FIRE (given at the 15-foot line), he engages the 15-foot targets on the QTTD. The same sequence of fire distribution is followed as with the previous exercise.

(3) During this exercise, the firer moves forward on command until he reaches the 10-foot line. At the command FIRE, the firer engages the 10-foot miniature E-type silhouette in the center of the QTTD.

2-19. RANGE FIRING COURSES

Range firing is conducted after the firers have satisfactorily completed preparatory marksmanship training. The range firing courses are:

a. **Instructional.** Instructional firing is practice firing on a range, using the assistance of a coach.

(1) All personnel authorized or required to fire the pistol receive 12 hours of preliminary instruction that includes the following:

- Disassembly and assembly.
- Loading, firing, unloading, and immediate action.
- Preparatory marksmanship.
- Care and cleaning.

(2) The tables fired for instructional practice are prescribed in the combat pistol qualification course in Appendix A. During the instructional firing, the CPQC is fired with a coach or instructor.

b. **Combat Pistol Qualification.** The CPQC stresses the fundamentals of quick fire. It is the final test of a soldier's proficiency and the basis for his marksmanship classification. After the soldier completes the instructional practice firing, he shoots the CPQC for record. Appendix A provides a detailed description of the CPQC tables, standards, and conduct of fire. TC 25-8 provides a picture of the course.

NOTE: The alternate pistol qualification course (APQC) can be used for sustainment/qualification if the CPQC is not available (see Appendix B).

c. **Military Police Firearms Qualification.** The military police firearms qualification course is a practical course of instruction for police firearms training (see FM 19-10).

Section IV. SAFETY

Safety must be observed during all marksmanship training. Listed below are the precautions for each phase of training. It is not intended to replace AR 385-63 or local range regulations. Range safety requirements vary according to the requirements of the course of fire. It is mandatory that the latest range safety directives and local range regulations be consulted to determine current safety requirements.

2-20. REQUIREMENTS

The following requirements apply to all marksmanship training.

- a. Display a red flag prominently on the range during all firing.
- b. Soldiers must handle weapons carefully and never point them at anyone except the enemy in actual combat.
- c. Always assume a weapon is loaded until it has been thoroughly examined and found to contain no ammunition.
- d. Indicate firing limits with red and white striped poles visible to all firers.
- e. Never place obstructions in the muzzle of any weapon about to be fired.
- f. Keep weapons in a prescribed area with proper safeguards.
- g. Refrain from smoking on the range near ammunition, explosives, or flammables.

2-21. BEFORE FIRING

The following requirements must be met before conducting marksmanship training.

- a. Close and post guards at all prescribed roadblocks and barriers.
- b. Ensure all weapons are clear of ammunition and obstructions, and all slides are locked to the rear.
- c. Brief all firers on the firing limits of the range and firing lanes. Firers must keep their fires within prescribed limits.
- d. Ensure all firers receive instructions on how to load and unload the weapon and on safety features.
- e. Brief all personnel on all safety aspects of fire and of the range pertaining to the conduct of the courses.
- f. No one moves forward of the firing line without permission of the tower operator, safety officer, or OIC.
- g. Weapons are loaded and unlocked only on command from the tower operator except during conduct of the courses requiring automatic magazine changes.
- h. Weapons are not handled except on command from the tower operator.
- i. Firers must keep their weapons pointed downrange when loading, preparing to fire, or firing.

2-22. DURING FIRING

The following requirements apply during marksmanship training.

- a. A firer does not move from his position until his weapon has been cleared by safety personnel and placed in its proper safety position. An exception is the assault phase.
- b. During Table 5 of the CPQC, firers remain on line with other firers on their right or left.
- c. Firers must fire only in their own firing lane and must not point the weapon into an adjacent lane, mainly during the assault phase.
- d. Firers treat the air-operated pistol as a loaded weapon, observing the same safety precautions as with other weapons.
- e. All personnel wear helmets during live-fire exercises.
- f. Firers hold the weapon in the raised position except when preparing to fire. They then hold weapons in the ready position, pointed downrange.

2-23. AFTER FIRING

Safety personnel inspect all weapons to ensure they are clear. A check is conducted to determine if any brass or live ammunition is in the possession of the soldiers. Once cleared, pistols are secured with the slides locked to the rear.

2-24. INSTRUCTIONAL PRACTICE AND RECORD QUALIFICATION FIRING

During these phases of firing, safety personnel ensure that--

- a. The firer understands the conduct of the exercise.
- b. The firer has the required ammunition and understands the commands for loading and unloading.
- c. The firer complies with all commands from the tower operator.
- d. Firers maintain proper alignment with other firers while moving downrange.

- e. Weapons are always pointed downrange.
- f. Firers fire within the prescribed range limits.
- g. Weapons are cleared after each phase of firing, and the tower-operator is aware of the clearance.
- h. Malfunctions or failures to fire that are due to no fault of the firer are reported immediately. On command of the tower operator, the weapon is cleared and action is taken to allow the firer to continue with the exercise.

NOTE: For training and qualification standards, see Appendixes A through D.

APPENDIX A
COMBAT PISTOL QUALIFICATION COURSE

This appendix provides information on the combat pistol qualification course. If the CPQC is not available, training may still be sustained and qualification achieved by using the alternate pistol qualification course (APQC) described in Appendix B.

A-1. COURSE INFORMATION

The CPQC requires the soldier to engage single and multiple targets at various ranges using the fundamentals of quick fire.

NOTE: For a picture of the CPQC, see TC 25-8.

a. For each table of the CPQC, the firer is afforded extra rounds to reengage targets that are missed. During the course, 30 targets are exposed to the firer. However, 40 rounds of ammunition are issued with which to engage the exposed targets. A soldier who can reengage a target with an extra round during the exposure time is just as effective as one who hits the target with one round. The firer is not penalized for using or not using the extra ammunition. All excess ammunition is turned in after the completion of each table and may not be used during subsequent tables.

b. Three magazine changes are required when firing the CPQC, once in Table II and twice in Table V. For safety purposes, one magazine containing one round of ammunition and is loaded first in both Tables II and V. A target appears in front of the firer, and he engages it. Eight seconds later, another target appears. During the eight-second delay, the firer must reload the weapon and be prepared to engage the next exposed target. There are no commands from range personnel or coaches for the magazine change. If the firer fails to reload his pistol in time to engage the next target, it is scored as a miss. This exercise teaches the soldier to change his magazine quickly and safely by instinct under pressure. In Table V, however, a second magazine change is done in accordance with commands from the control tower.

NOTE: When firing the 9-mm pistol, the firer uses double-action mode for the first round in all tables.

c. The range to exposed targets does not exceed 31 meters from the firer. Daylight target exposure times are as follows:

	<u>Tables I, II, and III</u>	<u>Tables IV and V</u>
Single targets:	3 seconds	2 seconds
Multiple targets:	5 seconds	4 seconds

A-2. FIRING THE CPQC

The following qualification tables apply for day, night, and NBC qualification. The standing firing position is used throughout the qualification.

NOTE: The target sequence is decided by the range OIC but is the same for all lanes. This prevents firers from getting ahead of firers in adjoining lanes. Target sequences vary in distance from the firer, starting with no more than two targets at 7 meters and the farthest targets at 31 meters.

a. **Table I.** One magazine with seven rounds, and five targets exposed. The standing position is assumed at the firing line with the weapon held at the ready position. Only single targets are exposed to the firer in this table. The tower operator decides the target sequence.

b. **Table II.** One magazine with one round, one magazine with seven rounds, and six targets exposed. The firer assumes the same position on the firing line as in Table I. There are four single targets and one set of multiple targets exposed to the firer.

(1) The magazine with one round is loaded into the weapon--one target is then exposed to the firer.

(2) After firing the pistol, the firer must change magazines at once. Three seconds after the target appears, the target is lowered if not hit.

(3) Eight seconds later, another target appears. Again, the firer must engage this target in the required time or it is scored a miss.

c. **Table III.** One magazine with seven rounds is loaded. Five targets (three single and one set of multiple targets) are exposed, and each is fired following the firer's rotation to another firing point.

d. **Table IV.** One magazine with five rounds is loaded. Four targets are exposed starting with the same position used in the previous tables. Two single targets and one set of multiple targets are exposed to the firer.

e. **Table V.** One magazine with one round, one magazine with seven rounds, and one magazine with five rounds are loaded. Ten targets are exposed. The firer begins 10 meters behind the firing line in the middle of the trail.

(1) The magazine containing one round is loaded into the pistol. The firer places the magazine containing seven rounds in his magazine pouch where it is closest to the firing hand. The magazine containing five rounds is placed in the magazine pouch farthest from the firing hand.

(2) When the firer reaches the firing line, a single target is exposed for two seconds, then lowered if not hit. There is an eight-second delay to allow the firer to change magazines. The seven-round magazine should be loaded at this time.

(3) At the end of eight seconds, another single target is exposed to the firer. Again, should the firer not have loaded his second magazine in time to engage this target, it is scored a miss.

(4) When the tower operator is sure that the firing line has completed the magazine change, he gives the command MOVE OUT. He then sequentially exposes two multiple targets at various ranges from the firer.

(5) After exposure of two sets of multiple targets, the pistol is reloaded with the five-round magazine. The command MOVE OUT is given, and the remaining targets are presented to the firer in sequence. After the last targets are hit or lowered, the weapon is cleared.

(6) The firer, holding the weapon in the raised pistol position with the slide to the rear, returns to the starting point and places the weapon on the stand. Excess ammunition is turned in to the ammunition point. The next order moves to the firing line.

A-3. CONDUCT OF FIRE

For each table, firers are issued only the rounds required to fire that specific table. The following list of commands outlines a step-by-step sequence for conducting range firing on the CPQC.

a. **Table I.** The tower operator orders firers to move to the firing line in preparation for firing. The tower operator orders firers to position themselves next to the weapon stands and secure their weapons. Magazines containing seven rounds are issued to the scorers and given to the firers. The tower operator commands:

TABLE ONE, SEVEN ROUNDS.
LOAD AND LOCK.
READY ON THE RIGHT.
READY ON THE LEFT.
READY ON THE FIRING LINE.
UNLOCK YOUR WEAPONS.
WATCH YOUR LANE.

The tower operator exposes the targets to the firers. When all targets have been exposed and engaged or lowered, the tower operator commands:

CEASE FIRE.
CLEAR ALL WEAPONS.
CLEAR ON THE RIGHT.
CLEAR ON THE LEFT.
THE FIRING LINE IS CLEAR.
FIRERS, PLACE YOUR WEAPONS ON THE STANDS.

b. **Table II.** The tower operator orders firers to secure their weapons. One magazine of one round and one magazine of seven rounds are issued to the firers. The tower operator commands:

TABLE TWO, EIGHT ROUNDS.
LOAD AND LOCK.
READY ON THE RIGHT.
READY ON THE LEFT.
READY ON THE FIRING LINE.
UNLOCK YOUR WEAPONS.
WATCH YOUR LANE.

The tower operator exposes the targets to the firers. When all targets have been exposed and engaged or lowered, the tower operator commands:

CEASE FIRE.
CLEAR ALL WEAPONS.
CLEAR ON THE RIGHT.
CLEAR ON THE LEFT.
THE FIRING LINE IS CLEAR.
FIRERS, KEEP YOUR WEAPONS POINTED UP AND DOWN RANGE.

c. **Table III.** The tower operator orders the firers to position themselves next to the weapon stands. One magazine of seven rounds is issued to the firers. The tower operator commands:

TABLE THREE, SEVEN ROUNDS.
LOAD AND LOCK.
READY ON THE RIGHT.
READY ON THE LEFT.
READY ON THE FIRING LINE.
UNLOCK YOUR WEAPONS.
WATCH YOUR LANE.

The tower operator exposes the targets to the firers. When all targets have been exposed and engaged or lowered, the tower operator commands:

CEASE FIRE.
CLEAR ALL WEAPONS.
CLEAR ON THE RIGHT.
CLEAR ON THE LEFT.
THE FIRING LINE IS CLEAR.
FIRERS, PLACE YOUR WEAPONS ON THE STAND.

d. **Table IV.** The tower operator orders the firers to position themselves next to the weapon stands. Firers are issued one magazine of five rounds. The tower operator commands:

TABLE FOUR, FIVE ROUNDS.
LOAD AND LOCK.
READY ON THE RIGHT.
READY ON THE LEFT.
READY ON THE FIRING LINE.
UNLOCK YOUR WEAPONS.
WATCH YOUR LANE.

The tower operator exposes the targets to the firers. When all targets have been exposed and engaged or lowered, the tower operator commands:

CEASE FIRE.
CLEAR ALL WEAPONS.
CLEAR ON THE RIGHT.
CLEAR ON THE LEFT.
THE FIRING LINE IS CLEAR.
FIRERS, PLACE YOUR WEAPONS ON THE STAND TO THE REAR OF
THE FIRING LINE.

e. **Table V.** The tower operator orders the firers to secure their weapons and move to the center of the trail and 10 meters behind the firing line. Firers are issued one magazine of one round, one magazine of seven rounds, and one magazine of five rounds. The tower operator commands:

TABLE FIVE, THIRTEEN ROUNDS.
LOAD AND LOCK.
READY ON THE RIGHT.
READY ON THE LEFT.
READY ON THE FIRING LINE.

PISTOLS AT THE READY POSITION.
UNLOCK YOUR WEAPON.
WATCH YOUR LANE.
MOVE OUT.

The tower operator exposes the targets to the firers. He gives the firers the commands WEAPONS AT THE READY POSITION and MOVE OUT after each target or group of targets has been engaged. Upon completion of Table V, the tower operator commands:

CEASE FIRE.
CLEAR ALL WEAPONS.
CLEAR ON THE RIGHT.
CLEAR ON THE LEFT.
THE FIRING LINE IS CLEAR.
FIRERS, KEEP YOUR WEAPONS UP AND DOWN RANGE.
SCORERS AND FIRERS MOVE BACK TO THE FIRING LINE AND PLACE
YOUR WEAPONS ON THE STAND.

The tower operator has each scorer total the firer's scorecard and turn it in to the range officer or his representative. The firing orders are rotated and the above sequence continued until all orders have fired.

A-4. NIGHT AND NUCLEAR, BIOLOGICAL, CHEMICAL QUALIFICATION FIRING

Night and NBC qualification is required IAW DA Pam 350-38. The qualification tables described in paragraphs A-2 and A-3 also apply for night and NBC qualification. Both qualifications are based on a GO/NO-GO scoring system. To receive a GO at night, the firer must hit at least 5 of the 30 exposed targets in all five tables. Likewise, to receive a GO during NBC firing, the firer must hit at least 7 of the 30 exposed targets in all five tables. A 10-second exposure time is allowed for each target for both night and NBC firing.

A-5. ALIBIS

Alibis are fired at the completion of each table from the position where the alibi occurred. Fire commands that apply to the table are used to fire an alibi. If a malfunction of weapon or targets occurs during firing from stationary positions, the firer reports the malfunction, and keeps his weapon pointed up and downrange. Should the malfunction occur during Table V, the firer keeps his weapon pointed up and downrange. He continues to move forward, keeping aligned with the firers to his right and left.

A-6. RULES

Rules governing firing the CPQC are as follows:

a. **Coaching.** Coaching is not allowed during record firing. No person may give or try to give help while the firer is taking his position or after he has taken his position at the firing point. Each firer must observe the location of the target in his own lane. During the instructional firing, the coach and assistant instructors should assist the firer in correcting errors.

b. **Accidental Discharges.** All shots fired by the firer are scored after he has taken his place on the firing lane. Even if the weapon is not directed toward a target or is accidentally discharged, a replacement round is not issued.

c. **Firing on the Wrong Target.** Shots fired on the wrong target are entered as a miss on the firing scorecard. A firer is credited only with hits he attains in his own firing lane.

d. **Firing After the Signal to Lower Targets.** Any shots that are fired by the firer after the target starts to lower are scored as a miss.

e. **More than One Shot Fired at an E-Type Silhouette Target.** The firer is credited with a hit if the hit is made during the target exposure time. The number of rounds fired to obtain the hit is immaterial.

f. **Excess Ammunition at the End of a Firing Table.** Excess ammunition from each table is turned in to the ammunition point and not used by the firer for subsequent tables.

g. **Target Sequence.** The target sequence is decided by the tower operator but is the same for all lanes. This prevents firers from getting ahead of other firers in adjoining lanes. Target sequence will vary in distance from the firer, starting with 31 meters and allowing no more than two 7-meter targets.

A-7. SCORECARD

The scorecard outlines instructional firing and qualification firing (CPQC) (Figure A-1). Numbers in column labeled TGT (target) are not the sequence in which targets are exposed. They are the numerical identification of targets to be engaged during each table of fire.

a. **Scoring.** Each time a target is hit or killed, an X is placed in the column labeled HITS. The value of a hit is 10 points. Upon completion of firing the CPQC, the scorer totals and signs the scorecard. Qualification standards are listed in the bottom right corner on the record firing side of the scorecard. They are:

Expert: 260 to 300.

Sharpshooter: 210 to 250.

Marksman: 160 to 200.

Unqualified: Below 160.

NBC and night firing are on a GO/NO-GO scoring system and recorded in the remarks column.

Night: 5 target hits = GO.

NBC: 7 target hits = GO.

b. **Supply of Forms.** DA Form 88 is available through normal publications supply channels.

A-8. TARGETS

Seven electric target device targets and E-type silhouettes for each firing lane are required. Aggressor figures may be superimposed on the silhouettes to add realism to the course of fire.

A-9. QUICK-FIRE TARGET TRAINING DEVICE

The QTTD may be procured locally. For durability and appearance, it should be made by the training aids section or an equally capable agency.

COMBAT PISTOL QUALIFICATION COURSE SCORECARD					
For use of this form, see FM 3-23.35; the proponent agency is TRADOC.					
DATA REQUIRED BY PRIVACY ACT OF 1974					
AUTHORITY: 10USC30129g/Executive Order 9397.					
PRINCIPAL PURPOSES: Records individual's performance on Record Fire Range.					
ROUTINE USES: Evaluation of individual's proficiency and basis for determination of award of proficiency badge. The SSN is used for positive identification purposes only.					
MANDATORY OR VOLUNTARY DISCLOSURE AND EFFECT ON INDIVIDUAL NOT PROVIDING INFORMATION: Voluntary. Individuals not providing information cannot be rated/scored on a mass basis.					
NAME (Last, First, MI) <i>TENTPEG, JOSEPH M</i>					DATE <i>6 MAY 03</i>
LANE NO. <i>1</i>	ORDER <i>2</i>	GROUP <i>2</i>	UNIT <i>Cco 2/29</i>	SSN <i>333-33-3333</i>	
TABLE I 1 Magazine - 7 Rounds			TABLE IV 1 Magazine - 5 Rounds		
TIME	TARGET	HITS	TIME	TARGET	HITS
3 Seconds	1	X	2 Seconds	1	M
3 Seconds	2	X	2 Seconds	2	X
3 Seconds	3	M	3		X
3 Seconds	4	X	4 Seconds	4	X
3 Seconds	5	X	TOTAL <i>30</i>		
TOTAL <i>40</i>			TABLE V		
TABLE II 1 Magazine - 1 Round 8-second Delay for Magazine Change 1 Magazine - 7 Rounds			TABLE V 1 Magazine - 1 Round 8-second Delay for Magazine Change 1 Magazine - 7 Rounds Controlled Magazine Change 1 Magazine - 5 Rounds		
TIME	TARGET	HITS	TIME	TARGET	HITS
3 Seconds	1	X	2 Seconds	1	X
3 Seconds	2	X	2 Seconds	2	X
5 Seconds	3	X	4 Seconds	3	M
3 Seconds	4	X	4		X
3 Seconds	5	X	4 Seconds	5	X
3 Seconds	6	X	4 Seconds	6	X
TOTAL <i>60</i>			2 Seconds	7	X
TABLE III 1 Magazine - 7 Rounds			2 Seconds	8	X
TIME	TARGET	HITS	4 Seconds	9	X
3 Seconds	1	X	10		X
3 Seconds	2	X	TOTAL <i>30</i>		
3 Seconds	3	X	TOTAL HITS <i>27</i>		
5 Seconds	4	X	TOTAL SCORE <i>270</i>		
3 Seconds	5	X	QUALIFICATION		
TOTAL <i>50</i>			Expert	260	
REMARKS:			Sharpshooter	210	
NOTE: When the pistol is fired, firers are issued the number of rounds required to fire a specific table. The officer-in-charge of firing establishes procedures for loading and unloading.			Marksman	160	
DA FORM 88-R, MAY 2003			Night Fire	GO (5 HITS) NO-GO	
Previous editions of this form are obsolete.			NBC Fire	GO (7 HITS) NO-GO	
USAPA V1.01			Scorer's Signature <i>Joseph M. Petty</i> Date <i>6 MAY 03</i> Officer's Signature <i>David P. Harris</i> Date <i>6 MAY 03</i>		

Figure A-1. Sample scorecard, DA Form 88.

APPENDIX B
ALTERNATE PISTOL QUALIFICATION COURSE

This appendix provides information on the alternate pistol qualification course, which can be used when the combat pistol qualification course is not available.

B-1. PROCEDURES

Once the soldier has completed instructional firing, he must then fire the CPQC for record. If the CPQC is not available, the soldier can fire the APQC.

a. **Normal Conditions.** Given 40 rounds of ammunition, fire Tables 1 through 4. Procedures for firing the APQC are as follows:

(1) **Table 1.** Engage the 25-meter APQC target from the standing position with 7 rounds of ammunition; given one 7-round magazine on a 25-meter range during daylight hours. Within 21 seconds, engage the APQC target from the standing position.

(2) **Table 2.** Engage the 25-meter APQC target from the kneeling position with 13 rounds; given two magazines, one 6-round and one 7-round, on a 25-meter range during hours of daylight. Within 45 seconds, starting from a standing position, assume a good kneeling position, engage the target with 6 rounds, perform a rapid magazine change, and engage the target with a 7-round magazine.

(3) **Table 3.** Engage the 25-meter APQC target from the crouch position with 10 rounds; given two magazines with 5 rounds each on a 25-meter range during daylight hours. Within 35 seconds, starting from a standing position, assume a good crouch position, engage the target with one 5-round magazine, perform a rapid magazine change, and engage the target with the second 5-round magazine.

(4) **Table 4.** Engage the 25-meter APQC target from the prone position with 10 rounds; given two magazines with 5 rounds each on a 25-meter range during daylight hours. Within 35 seconds, starting from a standing position, assume a good prone position, engage the target with one 5-round magazine, perform a rapid magazine change, and engage the target with the second 5-round magazine.

b. **Night Conditions.** Engage the 25-meter target from the crouch position with 30 rounds; given two 15-round magazines of 9-mm ammunition on a 25-meter range under night conditions. Given 10 seconds for each round, engage E-type silhouettes with 10 rounds. Conduct magazine changes without command. Tower will allow 8 seconds for each magazine change.

c. **NBC Conditions.** Engage a 25-meter target from a crouch position with 20 rounds; given one 15-round magazine and one 5-round magazine, or two 7-round magazines and one 6-round magazine, on a 25-meter range under simulated NBC conditions. During daylight hours, given 10 seconds for each round, engage E-type silhouettes with 20 rounds of ammunition. Conduct magazine changes without command. Tower will allow 10 seconds for each magazine change.

NOTE: When using the 9-mm pistol, the first round is fired in the double-action mode for all four tables. Night and NBC qualification is required IAW DA Pam 350-38.

B-2. CONDUCT OF FIRE

The following commands outline a step-by-step sequence for conducting range firing on the APQC.

a. **Table 1: Standing Position.**

(1) The tower operator gives the order to move to the firing line and to prepare to fire. The magazine containing seven rounds is issued to the scorer and given to the firer on command. The tower operator commands:

TABLE ONE, STANDING POSITION, SEVEN ROUNDS.
LOAD AND LOCK.
IS THE LINE READY?

(The 9-mm firers place their weapons in the double-action mode at this time.)

THE FIRING LINE IS READY.
FIRERS, WATCH YOUR LANE!

(2) At the end of prescribed firing time, the tower operator commands:
CEASE FIRE.

ARE THERE ANY ALIBIS?

(Alibis are given eight seconds for each round not fired.)

NOTE: For more information on alibis, see paragraph B-3.

UNLOAD AND CLEAR ALL WEAPONS.
IS THE FIRING LINE CLEAR?
THE FIRING LINE IS NOW CLEAR.
FIRERS AND SCORERS MOVE DOWNRANGE AND CHECK YOUR TARGETS.

(Weapons are left on firing line with slides locked to the rear.)

NOTE: Clear, lock open, and leave weapons on the table or stand them at the firing line when the firers and scorers go downrange to score their targets.

b. **Table 2: Kneeling position.** The tower operator orders firers to move up to the firing line. Two magazines containing six rounds and seven rounds each are issued to the scorer to be given to the firer on command. The tower operator commands.

TABLE TWO, KNEELING POSITION WITH MAGAZINE CHANGE,
FORTY-FIVE SECONDS.
LOCK AND LOAD ONE SIX-ROUND MAGAZINE.
LOAD YOUR SEVEN-ROUND MAGAZINE WITHOUT COMMAND.

NOTE: The following commands are the same as for Table 1.

c. **Table 3: Crouch position.** The tower operator orders firers to move up to the firing line. Scorers are issued two 5-round magazines to be issued to the firer on command. The tower operator commands:

TABLE THREE, CROUCH POSITION WITH MAGAZINE CHANGE,
THIRTY-FIVE SECONDS.
LOAD YOUR SECOND FIVE-ROUND MAGAZINE WITHOUT COMMAND.

NOTE: The following commands are the same as for Tables 1 and 2.

d. **Table 4: Prone Position.** The tower operator orders firers to move to the firing line. Firers are issued two 5-round magazines. The tower operator orders:

TABLE FOUR, PRONE POSITION WITH MAGAZINE CHANGE, THIRTY-FIVE SECONDS.

LOAD YOUR SECOND FIVE-ROUND MAGAZINE WITHOUT COMMAND.

NOTE: The following commands are the same as for Tables 1, 2, and 3.

e. **After Table 4.** The scorer and firer repair or replace targets for the next firing order.

f. **Night and NBC Firing.** The commands for night and NBC fire for record are as follows:

(1) **Night.** The tower operator orders firers to move to the firing line and to prepare to fire. Two 15-round magazines are issued to firers. The tower operator commands:

NIGHT FIRE, CROUCH POSITION WITH MAGAZINE CHANGES.

LOAD OTHER MAGAZINES WITHOUT COMMAND.

LOAD AND LOCK ONE MAGAZINE.

IS THE FIRING LINE READY?

FIRERS, WATCH YOUR LANE.

At the end of the prescribed firing time, the tower operator commands:

CEASE FIRE.

ARE THERE ANY ALIBIS?

(Alibis are given 10 seconds for each round not fired.)

UNLOAD AND CLEAR ALL WEAPONS.

IS THE FIRING LINE CLEAR?

THE FIRING LINE IS NOW CLEAR.

FIRERS AND SCORERS, MOVE DOWNRANGE AND CHECK YOUR TARGETS.

(Weapons are left on the firing line with slides locked to the rear.)

(2) **NBC.** The tower operator orders firers to move to the firing line and to prepare to fire. Firer is given one 15-round magazine and one 5-round magazine. The tower operator commands:

NBC FIRE, CROUCH POSITION WITH MAGAZINE CHANGE.

LOAD OTHER MAGAZINES WITHOUT COMMAND.

LOAD AND LOCK ONE MAGAZINE.

IS THE FIRING LINE READY?

FIRERS, WATCH YOUR LANE.

At the end of the prescribed firing time, the tower operator commands:

CEASE FIRE.

ARE THERE ANY ALIBIS?

(Alibis are given 8 seconds for each round not fired.)

UNLOAD AND CLEAR ALL WEAPONS.
IS THE FIRING LINE CLEAR?
THE FIRING LINE IS NOW CLEAR.
FIRERS AND SCORERS, MOVE DOWNRANGE AND CHECK
YOUR TARGETS.

(Weapons are left on the firing line with slides locked to the rear.)

NOTE: Excess ammunition at the end of a firing table is turned in to the scorer and not used by the firer in subsequent tables. At the end of the course, all excess ammunition is turned in to the ammunition point.

B-3. ALIBIS

If there is a malfunction of the weapon or target during firing, the scorer reports and records the malfunction. The firer is allowed one alibi (eight seconds for each round) at the completion of each table. All alibis are fired from the position in which the alibis occur. Firing commands that apply are used to fire alibis.

B-4. SCORING

The firer is scored on the number of target hits during the time limit. The firer must achieve at least 24 hits with a minimum score of 80 points to qualify. The target hits are multiplied by the number inside the scoring rings to determine the score. No credit is given for rounds fired after the command CEASE FIRE. Shots that touch the next higher scoring ring are scored the next higher value (Figure B-1). The qualification scores are:

Expert: 160 to 200.

Sharpshooter: 120 to 159.

Marksman: 80 to 119.

NBC and night firing are done on a GO/NO-GO scoring system and recorded in the remarks column.

NBC: 7 target hits = GO.

Night: 5 target hits = GO.

NOTE: See the format for the scorecard in Figure B-2.

B-5. COACHING

Coaching is allowed during instructional firing but not during record fire. No one may assist while or after the firer takes position at the firing point, except for safety reasons.

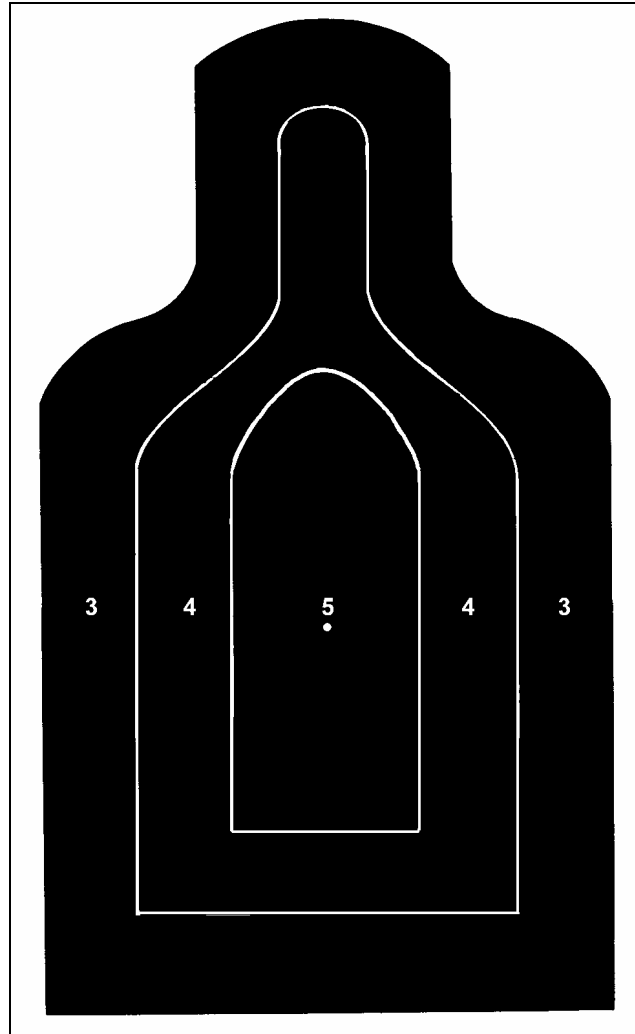


Figure B-1. 25-meter E-type silhouette with rings (NSN 6920-01-276-6604).

ALTERNATE PISTOL QUALIFICATION COURSE			
For use of this form, see FM 3-23.35; the proponent agency is TRADOC.			
DATA REQUIRED BY PRIVACY ACT OF 1974			
<small>AUTHORITY: 1OUSC30129g/Executive Order 9397. PRINCIPAL PURPOSES: Records individual's performance on Record Fire Range. ROUTINE USES: Evaluation of individual's proficiency and basis for determination of award of proficiency badge. SSN is used for positive identification purposes only. MANDATORY OR VOLUNTARY DISCLOSURE AND EFFECT ON INDIVIDUAL NOT PROVIDING INFORMATION: Voluntary. Individuals not providing information cannot be rated/scored on a mass basis.</small>			
NAME (Last, First, MI) PEVOSKI, RICHARD R.			DATE 5 MAY 03
LANE NO. 3	ORDER 1	UNIT Cco 2/29th	SSN 333-33-3333
TABLE 1 - STANDING POSITION: 1 Magazine - 7 Rounds - 21 Seconds			
HITS	X X X X X X X	HITS	<u>7</u>
SCORE	5 5 4 4 5 4 5	SCORE	<u>32</u>
TABLE 2 - KNEELING POSITION: First Magazine - 6 Rounds - 45 Seconds Second Magazine - 7 Rounds			
HITS	X X X X X X X X X X X M	HITS	<u>12</u>
SCORE	5 5 5 5 5 5 5 4 5 4 5 5 0	SCORE	<u>58</u>
TABLE 3 - CROUCH POSITION: 2 Magazines - 5 Rounds Each - 35 Seconds			
HITS	X X X X X X X X X X	HITS	<u>10</u>
SCORE	5 5 5 5 5 5 4 5 5 5	SCORE	<u>49</u>
TABLE 4 - PRONE POSITION: 2 Magazines - 5 Rounds - 35 Seconds			
HITS	X X X X X X X X X X	HITS	<u>10</u>
SCORE	5 5 5 5 5 5 5 5 5 3	SCORE	<u>48</u>
		TOTAL HITS	<u>39</u>
		TOTAL SCORE	<u>187</u>
QUALIFICATION:			
EXPERT	160 TO 200		
SHARPSHOOTER	120 TO 159		
MARKSMAN	80 TO 119		
NIGHT FIRE	GO (5 HITS) NO-GO		
NBC FIRE	GO (7 HITS) NO-GO		
Scorer's Signature <i>Steven C. Miller</i>		Date 5 May 03	Officer's Signature <i>Robert R. Reeves</i>
		Date 5 May 03	
REMARKS:			
NOTES: 1. Hits are marked with an "X" and misses are marked with an "M." 2. The firer must achieve a minimum of 24 hits and a minimum score of 80 to qualify.			

Figure B-2. Example of a completed alternate pistol qualification course form.

NOTE: See the back of this FM for a blank copy of this form for local reproduction.

APPENDIX C
TRAINING SCHEDULES

To aid in the individual training phase, training schedules for the courses in pistol marksmanship training are described in this appendix. These schedules are based on the desirable number of training hours for a pistol course. They should be used as a guide in preparing lesson plans; conditions may require a longer or shorter period to complete the training. When time is available, additional training should be included in the schedule. When suggested equipment and training aids are not available, the best that are available should be improvised or substituted. Each firer should be allowed 50 rounds for instructional firing and 40 rounds for record firing.

C-1. 9-MM SEMIAUTOMATIC PISTOL, PRACTICE OR INSTRUCTIONAL FIRING COURSE (12 HOURS)

Period	Hours		Lesson	References	Training Facilities	Training Aids
	Peace	Mobilization				
MECHANICAL TRAINING (4 Hours)						
1	2	2	Characteristics, disassembly and assembly, functioning, and care and cleaning.	TM 9-1005-317-10, TM 9-1005-325-10.	Classroom or field.	For each instructor: chalkboard, working model, projector and screen. For each man: cleaning equipment. For each group: table or suitable ground cloth.
2	2	2	Malfunctions, stoppages, immediate action, loading, unloading ammunition, and safety precautions.	TM 9-1005-317-10, TM 9-1005-325-10.do....	Same as period 1 plus ammunition display.
PREPARATORY MARKSMANSHIP TRAINING (6 Hours)						
3	3	3	Coaching, aiming, grip, positions, trigger squeeze (to include double-action), target engagement, and slow-fire exercise.	Chapter 2 of this manual.do....	For each man: one pistol with magazine. For all: E-silhouette.
RANGE FIRING (2 Hours)						
4	2	2	Instructional Firing Tables I through V, Combat Pistol Qualification Course.	Appendix A of this manual.	Live-fire range.	Equipment used in period 6 of the qualification course.

**C-2. 9-MM SEMIAUTOMATIC PISTOL, QUALIFICATION COURSE
(12 HOURS)**

Period	Hours		Lesson	References	Training Facilities	Training Aids
	Peace	Mobilization				
MECHANICAL TRAINING (4 Hours)						
1	2	2	Characteristics, disassembly and assembly, functioning, and care and cleaning.	TM 9-1005-317-10, TM 9-1005-325-10.	Classroom or field.	For each instructor: chalkboard, working model, projector and screen. For each man: cleaning equipment. For each group: table or suitable ground cloth.
2	2	2	Malfunctions, stoppages, immediate action, loading, unloading, ammunition, and safety precautions.	TM 9-1005-317-10, TM 9-1005-325-10.do....	Same as period 1 plus ammunition display.
PREPARATORY MARKSMANSHIP TRAINING (4 Hours)						
3	2	2	Coaching, aiming, grip, positions, trigger squeeze (to include double-action), target engagement, and slow-fire exercise.	Chapter 2 of this manual.do....	For each man: one pistol with magazine, For all: E-silhouette.
4	2	2	Review and examination.	All previous references.do....	For all: all equipment used in previous periods.
RANGE FIRING (4 Hours)						
5	2	2	Instructional firing combat pistol qualification course, for practice with a coach or instructor.	Existing range regulations. Appendix A of this manual.	Pistol range.	For all: all equipment used for periods 3 and 4 plus scorecard and ammunition.
6	2	2	Record firing, Tables I through V, combat pistol qualification course.	Appendix A of this manual.do....do.....

COMBAT PISTOL QUALIFICATION COURSE SCORECARD

For use of this form, see FM 3-23.35; the proponent agency is TRADOC.

DATA REQUIRED BY PRIVACY ACT OF 1974

AUTHORITY: 10USC30129g/Executive Order 9397.

PRINCIPAL PURPOSES: Records individual's performance on Record Fire Range.

ROUTINE USES: Evaluation of individual's proficiency and basis for determination of award of proficiency badge. The SSN is used for positive identification purposes only.

MANDATORY OR VOLUNTARY DISCLOSURE AND EFFECT ON INDIVIDUAL NOT PROVIDING

INFORMATION: Voluntary. Individuals not providing information cannot be rated/scored on a mass basis.

NAME (Last, First, MI)	DATE
-------------------------------	-------------

LANE NO.	ORDER	GROUP	UNIT	SSN
-----------------	--------------	--------------	-------------	------------

TABLE I

1 Magazine - 7 Rounds

TIME	TARGET	HITS
3 Seconds	1	
3 Seconds	2	
3 Seconds	3	
3 Seconds	4	
3 Seconds	5	
TOTAL		

TABLE IV

1 Magazine - 5 Rounds

TIME	TARGET	HITS
2 Seconds	1	
2 Seconds	2	
4 Seconds	3	
	4	
TOTAL		

TABLE V

1 Magazine - 1 Round

8-second Delay for Magazine Change

1 Magazine - 7 Rounds

Controlled Magazine Change 1 Magazine - 5 Rounds

TIME	TARGET	HITS
2 Seconds	1	
2 Seconds	2	
4 Seconds	3	
	4	
4 Seconds	5	
	6	
2 Seconds	7	
2 Seconds	8	
4 Seconds	9	
	10	
TOTAL		

TABLE II

1 Magazine - 1 Round

8-second Delay for Magazine Change

1 Magazine - 7 Rounds

TIME	TARGET	HITS
3 Seconds	1	
3 Seconds	2	
5 Seconds	3	
	4	
3 Seconds	5	
3 Seconds	6	
TOTAL		

TABLE III

1 Magazine - 7 Rounds

TIME	TARGET	HITS
3 Seconds	1	
3 Seconds	2	
3 Seconds	3	
5 Seconds	4	
	5	
TOTAL		

TOTAL HITS

TOTAL SCORE

QUALIFICATION

Expert	260
Sharpshooter	210
Marksman	160
Night Fire	GO (5 HITS) NO-GO
NBC Fire	GO (7 HITS) NO-GO

Scorer's Signature

Date

Officer's Signature

Date

REMARKS:

NOTE: When the pistol is fired, firers are issued the number of rounds required to fire a specific table. The officer-in-charge of firing establishes procedures for loading and unloading.

ALTERNATE PISTOL QUALIFICATION COURSE

For use of this form, see FM 3-23.35; the proponent agency is TRADOC.

DATA REQUIRED BY PRIVACY ACT OF 1974

AUTHORITY: 10USC30129g/Executive Order 9397.

PRINCIPAL PURPOSES: Records individual's performance on Record Fire Range.

ROUTINE USES: Evaluation of individual's proficiency and basis for determination of award of proficiency badge. SSN is used for positive identification purposes only.

MANDATORY OR VOLUNTARY DISCLOSURE AND EFFECT ON INDIVIDUAL NOT PROVIDING INFORMATION: Voluntary. Individuals not providing information cannot be rated/scored on a mass basis.

NAME (Last, First, MI)	DATE
-------------------------------	-------------

LANE NO.	ORDER	UNIT	SSN
-----------------	--------------	-------------	------------

TABLE 1 - STANDING POSITION: 1 Magazine - 7 Rounds - 21 Seconds

HITS	<input type="checkbox"/> <input type="checkbox"/> <input type="checkbox"/> <input type="checkbox"/> <input type="checkbox"/> <input type="checkbox"/> <input type="checkbox"/> <input type="checkbox"/>		HITS	_____
SCORE	<input type="checkbox"/> <input type="checkbox"/> <input type="checkbox"/> <input type="checkbox"/> <input type="checkbox"/> <input type="checkbox"/> <input type="checkbox"/> <input type="checkbox"/>		SCORE	_____

**TABLE 2 - KNEELING POSITION: First Magazine - 6 Rounds - 45 Seconds
Second Magazine - 7 Rounds**

HITS	<input type="checkbox"/> <input type="checkbox"/> <input type="checkbox"/> <input type="checkbox"/> <input type="checkbox"/> <input type="checkbox"/> <input type="checkbox"/> <input type="checkbox"/> <input type="checkbox"/> <input type="checkbox"/> <input type="checkbox"/> <input type="checkbox"/>		HITS	_____
SCORE	<input type="checkbox"/> <input type="checkbox"/> <input type="checkbox"/> <input type="checkbox"/> <input type="checkbox"/> <input type="checkbox"/> <input type="checkbox"/> <input type="checkbox"/> <input type="checkbox"/> <input type="checkbox"/> <input type="checkbox"/> <input type="checkbox"/>		SCORE	_____

TABLE 3 - CROUCH POSITION: 2 Magazines - 5 Rounds Each - 35 Seconds

HITS	<input type="checkbox"/> <input type="checkbox"/> <input type="checkbox"/> <input type="checkbox"/> <input type="checkbox"/> <input type="checkbox"/> <input type="checkbox"/> <input type="checkbox"/> <input type="checkbox"/> <input type="checkbox"/>		HITS	_____
SCORE	<input type="checkbox"/> <input type="checkbox"/> <input type="checkbox"/> <input type="checkbox"/> <input type="checkbox"/> <input type="checkbox"/> <input type="checkbox"/> <input type="checkbox"/> <input type="checkbox"/> <input type="checkbox"/>		SCORE	_____

TABLE 4 - PRONE POSITION: 2 Magazines - 5 Rounds - 35 Seconds

HITS	<input type="checkbox"/> <input type="checkbox"/> <input type="checkbox"/> <input type="checkbox"/> <input type="checkbox"/> <input type="checkbox"/> <input type="checkbox"/> <input type="checkbox"/> <input type="checkbox"/> <input type="checkbox"/>		HITS	_____
SCORE	<input type="checkbox"/> <input type="checkbox"/> <input type="checkbox"/> <input type="checkbox"/> <input type="checkbox"/> <input type="checkbox"/> <input type="checkbox"/> <input type="checkbox"/> <input type="checkbox"/> <input type="checkbox"/>		SCORE	_____

TOTAL HITS	_____
TOTAL SCORE	_____

QUALIFICATION:

- | | |
|--------------|-------------------|
| EXPERT | 160 TO 200 |
| SHARPSHOOTER | 120 TO 159 |
| MARKSMAN | 80 TO 119 |
| NIGHT FIRE | GO (5 HITS) NO-GO |
| NBC FIRE | GO (7 HITS) NO-GO |

Scorer's Signature	Date	Officer's Signature	Date
--------------------	------	---------------------	------

REMARKS:

- NOTES:** 1. Hits are marked with an "X" and misses are marked with an "M."
2. The firer must achieve a minimum of 24 hits and a minimum score of 80 to qualify.

GLOSSARY

APQC	alternate pistol qualification course
AR	Army regulation
CLP	cleaner, lubricant, preservative
CPQC	combat pistol qualification course
CTA	common table of allowances
DA	Department of the Army
EENT	end of evening nautical twilight
EMNT	end of morning nautical twilight
FM	field manual
HQ	headquarters
LSA	lubricating oil, semifluid, automatic weapons
mm	millimeter
MOPP	mission-oriented protective posture
NATO	North Atlantic Treaty Organization
NBC	nuclear, biological, chemical
NG	Army National Guard
OIC	officer in charge
QTTD	quick-fire target training device
RBC	rifle bore cleaner
RH	right hand
TM	technical manual
TRADOC	US Army Training and Doctrine Command
USAR	United States Army Reserve

REFERENCES

DOCUMENTS NEEDED

These documents must be available to the intended users of this publication.

AR 385-63	Policies and Procedures for Firing Ammunition for Training, Target Practice, and Combat. 15 October 1983.
DA Form 88	Combat Pistol Qualification Course Scorecard.
DA Form 5704-R	Alternate Pistol Qualification Course.
TM 9-1005-317-10	Operator's Manual for Pistol, Semiautomatic, 9-mm, M9 (1005-01-118-2640). 31 July 1985.
TM 9-1005-325-10	Operator's Manual for Pistol, Compact, 9-mm, M11 (1005-01-336-8265) and Pistol, Compact, 9-mm, M11 with Tritium Sights (1005-01-340-0096). 16 December 1993.
TM 9-1300-200	Ammunition, General. 3 October 1969.

SOURCES USED

These are the sources quoted or paraphrased in this publication.

AR 140-1	Mission, Organization, and Training. 1 September 1994.
CTA 8-100	Army Medical Department Expendable/Durable Items. 31 August 1994.
CTA 50-970	Expendable/Durable Items (Except: Medical, Class V, Repair Parts and Heraldic Items). 21 September 1990.
DA Pam 350-38	Standards in Weapons Training. 3 July 1997.
DA Pam 738-750	Functional Users' Manual for the Army Maintenance Management System (TAMMS). 1 August 1994.
FM 3-4	NBC Protection. 29 May 1992, with Changes 1-2, 28 October 1992-21 February 1996.
FM 3-5	NBC Decontamination. 28 July 2000.
FM 19-10	The Military Police Law and Order Operations. 30 September 1987.

FM 3-23.35

- FM 21-11 First Aid for Soldiers. 27 October 1988, with Changes 1-2, 28 August 1989-4 December 1991.
- FM 21-75 Combat Skills of the Soldier. 3 August 1984.
- TC 25-8 Training Ranges. 25 February 1992.
- TM 9-1005-317-23&P Unit and Intermediate Direct Support Maintenance Manual (Including Repair Parts and Special Tools List) for Pistol, Semiautomatic, 9-mm, M9 (1005-01-118-2640). 16 October 1987.
- TM 9-1005-325-23&P Unit and Intermediate Direct Support Maintenance Manual (Including Repair Parts and Special Tools List) for Pistol, Compact, 9-mm, M11 (1005-01-336-8265) and Pistol, Compact, 9-mm M11 with Tritium Sights (1005-01-340-0096). 1 March 1993.
- TM 9-6920-210-14&P Operator and General Support Maintenance Manual (Including Basic Issue Items List and Repair Parts List) for Small Arms Targets and Target Material. 2 June 1992.
- TM 43-0001-27 Army Ammunition Data Sheets for Small Caliber Ammunition. 29 April 1994.

INTERNET SOURCES USED

The following Internet sources were used in the preparation of this manual.

U. S. Army Publishing Agency, <http://www.usapa.army.mil>

Army Doctrine and Training Digital Library, <http://www.adtdl.army.mil>

INDEX

- aiming, 2-5
- air-operated pistol, .177-mm, 2-20
- alibis, A-5, B-3
- alternate pistol qualification course, B -1
 - alibis, B-3
 - conduct of fire, B-2
 - form, D-2
 - scoring, B-4
 - tables, B-1
- basic marksmanship, 2-1
 - aiming, 2-4
 - breath control, 2-5
 - fundamentals, 2-2
 - positions, 2-8
 - target engagement 2-7
 - trigger squeeze, 2-6
- ball-and-dummy method, 2-16
- breath control, 2-5
- calling the shot, 2-17
- coaching, 2-15
- combat marksmanship 2-9
 - nuclear, biological, chemical firing, 2-14
 - poor visibility firing, 2-13
 - reloading techniques, 2-12
 - target engagement, 2-10
 - techniques of firing 2-9
 - traversing, 2-11
- combat pistol qualification course, A-1
 - alibis, A-4
 - conduct of fire, A-3
 - rules A-5
 - scorecard, A-6
 - tables, A-2
 - targets, A-3
- combat reloading techniques, 2-12
 - one-hand, 2-12
 - rapid, 2-12
 - tactical, 2-12
- DA Form 88-R, Combat Pistol Qualification Course Scorecard, A-7.
- DA Form 5704-R, Alternate Pistol Qualification Course, B-6.
- equipment data
 - pistol automatic, 9-mm, M9, 1-1
 - pistol automatic, 9-mm, M11, 1-1
- flash sight picture, 2-9
- forms, reproducible, D-1
- grip, 2-3
 - isometric tension, 2-4
 - one-hand, 2-1
 - two-hand, 2-2
 - fist, 2-2
 - palm-supported, 2-3
 - weaver, 2-4
- hand-and-eye coordination, 2-9
- instructional practice and record qualification, 2-27
- marksmanship training, 2-1
 - basic, 2-1
 - coaching and training aids, 2-15
 - combat, 2-9
 - phases, 2-1
 - safety, 2-23
- malfunctions, 1-10
- nuclear, biological, chemical firing, 2-14
- pistols
 - M9 automatic 9-mm, 1-1
 - equipment data, 1-1
 - operation, 1-10
 - M11 automatic 9-mm, 1-1
 - equipment data, 1-1
 - operation, 1-10
- point of aim, 2-4
- poor visibility firing, 2-13

- positions, 2-8
 - crouch, 2-8, 2-11 (*illus*)
 - kneeling, 2-8, 2-10 (*illus*)
 - kneeling supported, 2-8, 2-14 (*illus*)
 - pistol-ready, 2-8, 2-9 (*illus*)
 - prone, 2-8, 2-12 (*illus*)
 - standing without support, 2-8, 2-10 (*illus*)
 - standing with support, 2-8, 2-10 (*illus*)

- qualification courses
 - alternate pistol qualification course, B-1
 - combat pistol qualification course, A-1
- qualification firing, night and NBC, A-5
- quick-fire point shooting 2-9
- quick-fire sighting, 2-9
- quick-fire target training device, 2-21, (*illus*) A-8

- range firing courses, 2-22
 - alternate pistol qualification course, B-1
 - combat pistol qualification course, A-1
- reloading techniques, 2-12

- safety, 2-23 through 2-27
- scorecard, DA Form 88-R, Combat Pistol Qualification Course, A-6
- scorecard, DA Form 5704-R, Alternate Pistol Qualification Course, B-6
- slow-fire exercise, 2-29

- target engagement, 2-7, 2-10
 - recoil, 2-8
 - trigger jerk, 2-8
 - heeling, 2-8
- targets, Figure B-1
- techniques of firing, 2-9
- training aids, 2-15
 - air-operated pistol, .177 mm, 2-20
 - quick-fire target training device, 2-21

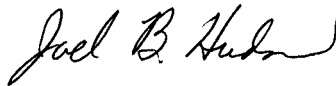
- training schedules, C-1
- traversing, 2-11
- trigger squeeze, 2-6

FM 3-23.35(FM 23-35)
25 JUNE 2003

By Order of the Secretary of the Army:

ERIC K. SHINSEKI
General, United States Army
Chief of Staff

Official:



JOEL B. HUDSON
Administrative Assistant to the
Secretary of the Army
0319704

DISTRIBUTION:

Active Army, Army National Guard, and US Army Reserve: To be distributed in accordance with the initial distribution number 110200, requirements for FM 3-23.35.

PIN: 080931-000